



NORDcanopy

HN Exhaust canopy (small dishwasher)

Solutions for dishwashing areas

Replacement room air provided through front panel

"AirGrip" air intake system

Energy efficient LED lights

HACCP certified (no. I-PE-106-ETS-R4-01)

www.nordcooking.com

General

The NORDcanopy product portfolio consists of canopies and related air treatment products for use in commercial and industrial kitchen ventilation to create a comfortable and hygienic work environment.

Our products combine stylish design with highly effective grease, steam, heat and odor removal performance for your project.

We at ETS Nord know that no projects are exactly alike. We have designed our canopies to be modular, so we can custom design and manufacture a NORDcanopy solution to meet your each and every project requirement or technical need.

NORDcanopy products are manufactured from stainless steel according to standards EVS-EN 10088- 2:2014, EN 1.4301 or AISI 304 (AISI 304, surface 2K).

HACCP International certifies the equipment as food-safe and suitable for use in food facilities that operate in accordance with a HACCP based Food Safety Programme.

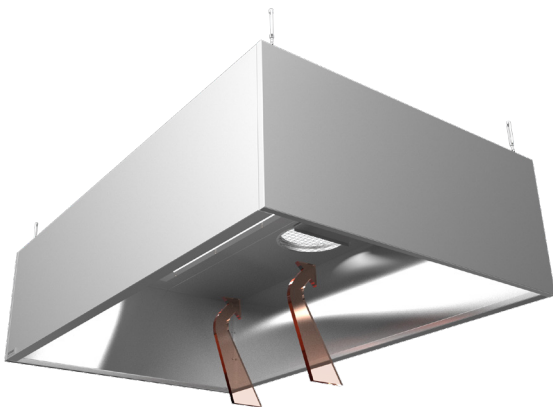


HN Exhaust canopy (small dishwasher)

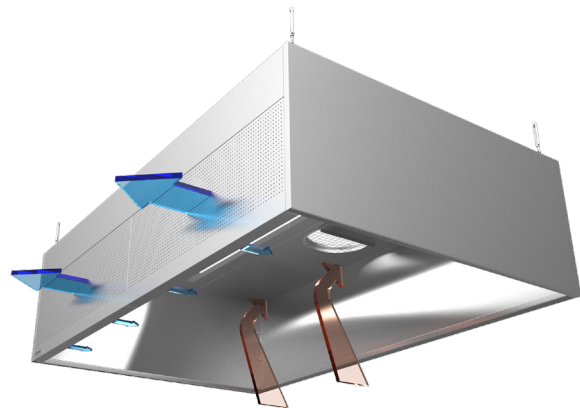


The HN Canopy ensures a clean, hygienic and comfortable work environment by removing pollutants and excess heat from your commercial or industrial operations. HN is ideal for small dishwasher applications and is with or without integrated supply air.

Function



HN without supply air

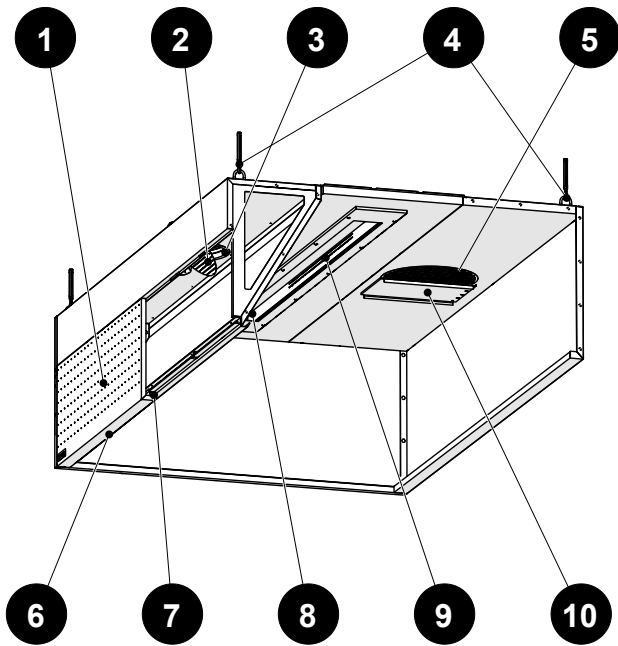


HN with supply air

Supply air specifications (when applicable)

	Perforation pattern		
	SPx1	SPx2	SPx3
Supply airflow (with "AirGrip" air nozzle system) per linear meter of panel, l/s	10-61 Pa 71-175 l/s	10-40 Pa 110-220 l/s	10-28 Pa 165-275 l/s

Construction



- 1 - Front panel
- 2 - Supply air regulating plate
- 3 - Supply air connection
- 4 - Suspension points
- 5 - Exhaust air connection
- 6 - Front panel lock
- 7 - "AirGrip" air nozzle system
- 8 - Airflow measuring nipples
- 9 - Lighting
- 10 - Exhaust air adjustment plate

- The canopy is made from stainless steel (AISI 304, surface 2K).
- Duct connections are equipped with rubber gaskets.
- Supply air chambers are heat insulated to prevent condensation of steam on the inner surface of the canopy.
- Easy-to-clean surfaces.
- Access to the chamber to enable cleaning of the supply pipes is ensured through the easy-to-remove front panel of the canopy. Exhaust pipes can be connected and insulated via the removable ceiling panel.
- A modular canopy is supplied without partition walls.
- Adjustable suspension hardware is included.

Lighting

Professional kitchens require functional lighting to ensure that employees have a safe and effective work environment. ETS NORD professional kitchen canopies use the next generation of energy-efficient recessed LED fluorescent lamps and LED-Spot luminaires, which can save as much as 50% more energy compared to old technologies.

The canopies include light fixtures integrated into their ceilings, protected by an aluminum and glass casing. The size and number of light fixtures are determined by the size of the canopy, to ensure there is enough light output for the entire workspace.



Luminaries:

Canopy length (mm)	Luminaries	Lighting length (mm)	Energy use (W)	Light color	Color temperature (K)	Color rendering index (Ra)	Flux (lm)
1000 ≤ L < 1600	LED770	769	17	840	4000	80	2250
1600 ≤ L < 1900	LED1370	1350	41	840	4000	80	4900
L ≥ 1900	LED1670	1669	54	840	4000	80	6750

Spot LED lighting fixtures

Light colour (designation) - Cool White

Light colour - 4000 K

Housing material - Aluminium

Colour separation index - > 80 (Ra)

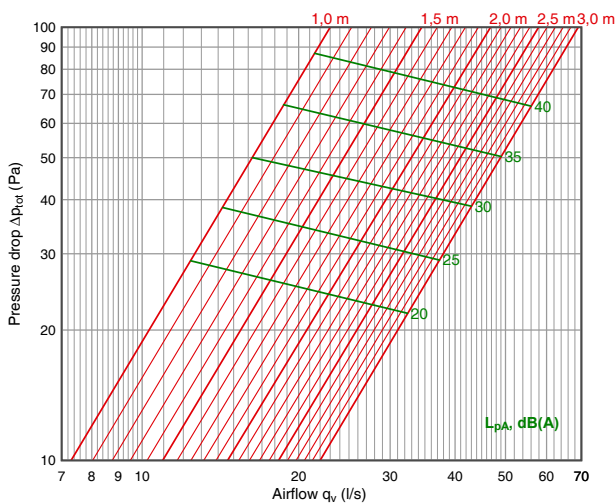


Canopy length (mm)	Spot LED Quantity	Energy use (W)	Flux (lm)	Radiation angle
1000 ≤ L < 1500	2	16	1340	36°
1500 ≤ L < 2000	3	24	2010	36°
L ≥ 2000	4	32	2680	36°

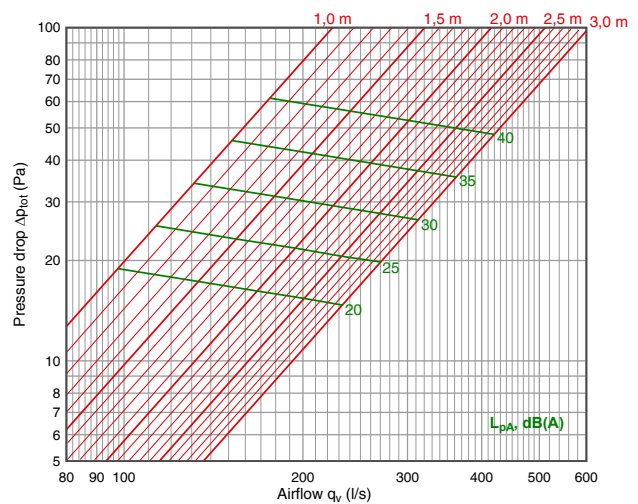
Technical data

The supply panels always contain the "AirGrip" air capture system.

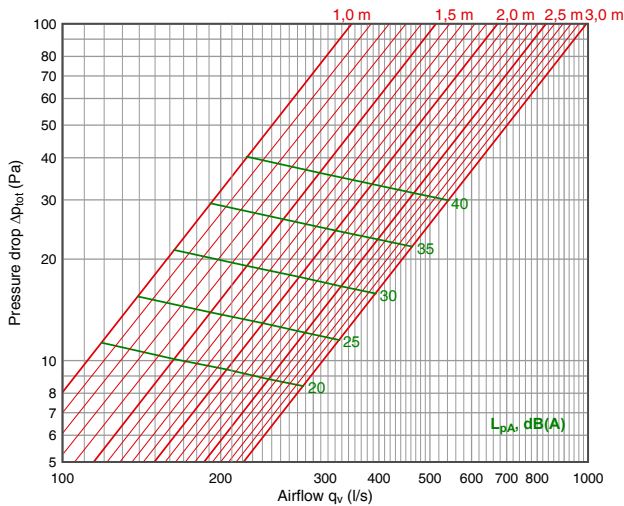
Supply air: "AirGrip"



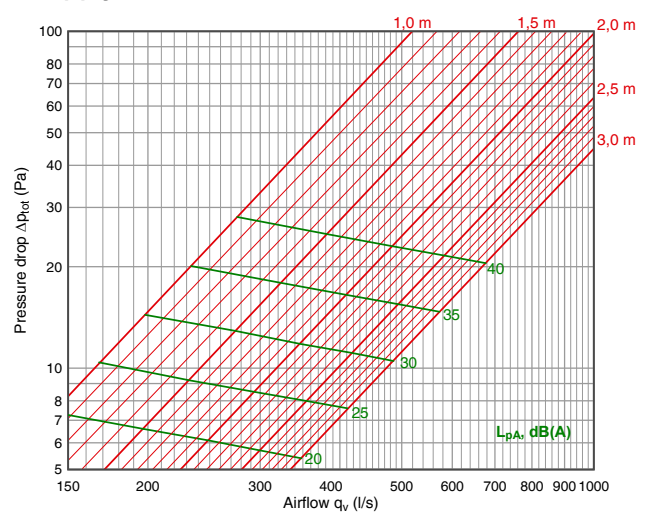
Supply air: SP1



Supply air: SP2



Supply air: SP3

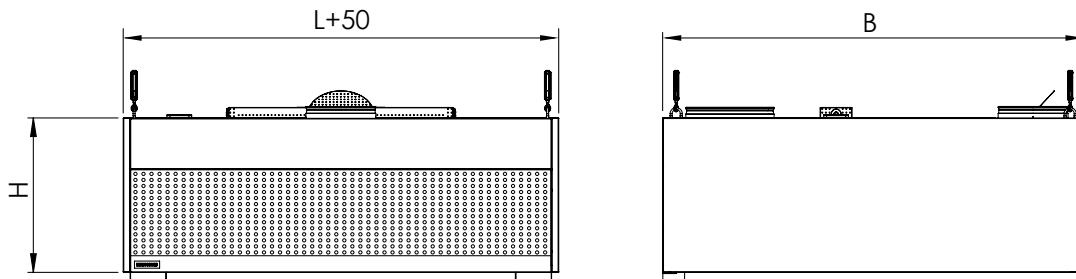


Acoustic data

Supply air	Correction of sound level K_{okt} (dB)							
	(Hz)							
	63	125	250	500	1000	2000	4000	8000
"AirGrip"	-6	-8	-5	-3	0	-1	-7	-20
SPx1	-1	0	3	2	-1	-3	-11	-23
SPx2	0	1	5	4	-1	-8	-20	-27
SPx3	7	5	6	4	-2	-13	-21	-30
	± 4 dB	± 4 dB	± 4 dB	± 2 dB	± 2 dB	± 2 dB	± 2 dB	± 2 dB

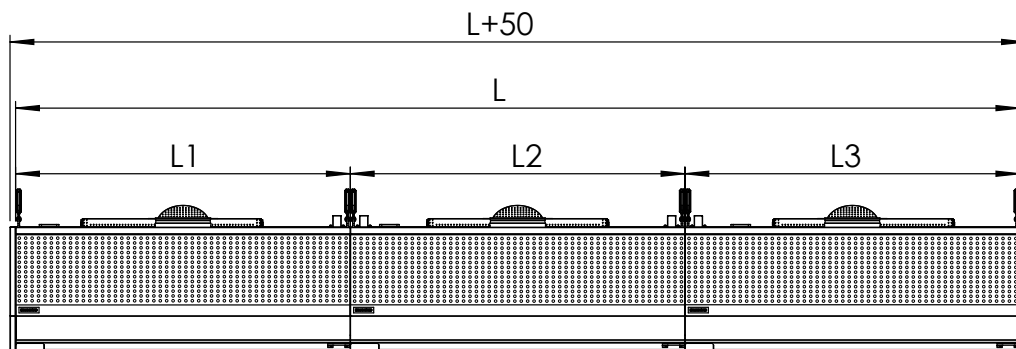
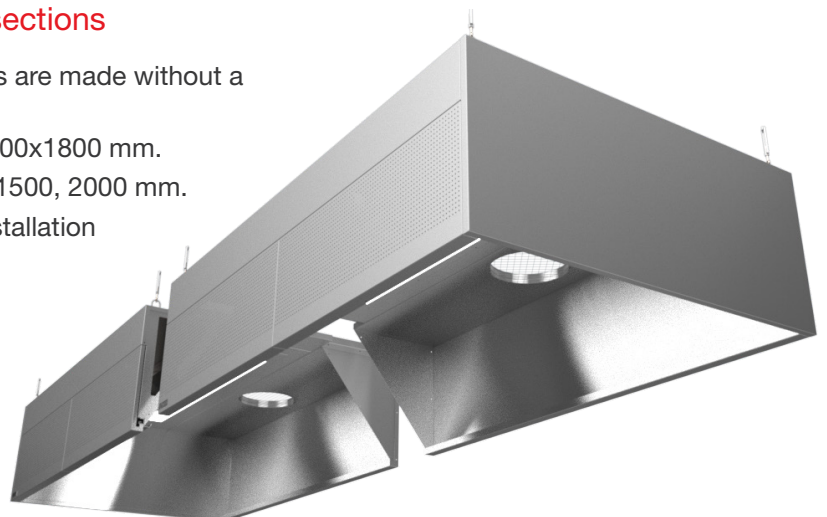
Dimensions

HN dimensions, mm	
L Length	600, 700, ..., 2400, 2900
B Width	500, 600, ..., 1900, 2000
H Height	400, 550

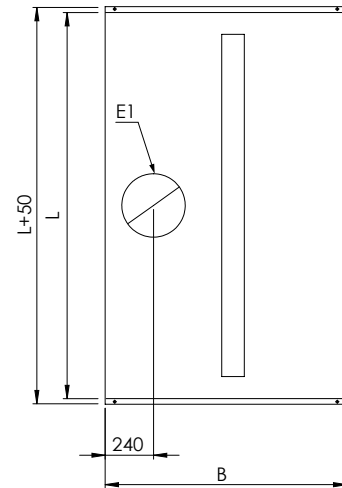
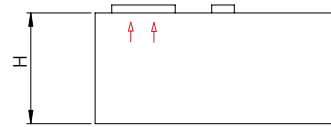


Canopy lengthening with modular sections

- Canopies consisting of several modules are made without a partition wall.
- The maximum size of one module is 2900x1800 mm.
- Preferred length dimensions are 1000, 1500, 2000 mm.
- For connecting the modules see the installation manual.



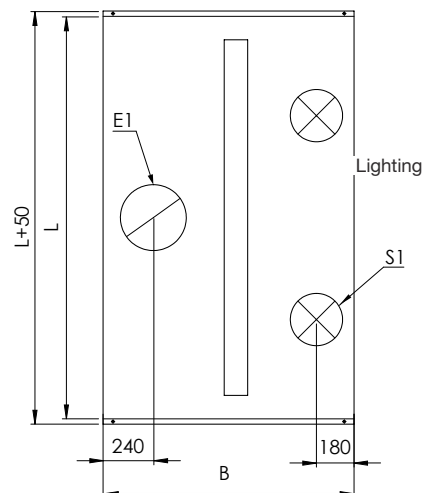
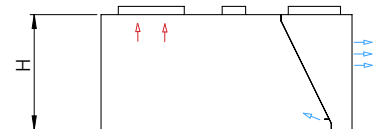
HN canopy, without supply air



Dimensions

L Length	600, 700, ..., 2800, 2900
B Width	500 (no lighting) 600 (available with Spot LED)
H Height	400, 550
E1	200, 250, 315

HN canopy, with supply air



Dimensions

L Length	1000, 1100, ..., 2800, 2900
B Width	900 (available with Spot LED)
H Height	400, 550
S1	160, 200, 250
E1	200, 250, 315

Product marking

	Marking -	aSAP -	Dimensions -	Supply air	Exhaust air	Front panel	Lighting -	RAL 9005
Marking	HN - Exhaust canopy							
aSAP	aSAP - a Self Assembly Package							
Dimensions	L - Length B - Width H - Height							
Supply air	S1 - Supply air chamber on one side Diameter of supply air connection Quantity of supply air connections							
Exhaust air	E1 - One exhaust air chamber Diameter of exhaust air connection Quantity of exhaust air connections							
Front panel	SPx0 - No Perforation, only "AirGrip" supply air curtain system SPx1 - Perforation pattern 1 - (per L=1000mm) 130 l/s, 40 Pa, 40 dB(A) SPx2 - Perforation pattern 2 - (per L=1000mm) 190 l/s, 37 Pa, 40 dB(A) SPx3 - Perforation pattern 3 - (per L=1000mm) 250 l/s, 25 Pa, 40 dB(A)							
Lighting	LED770 - L=769, 17W LED1370 - L=1369, 41W LED1670 - L=1669, 54W SpotLED - 8W Quantity of lighting fixtures							
RAL Colour	RAL colour, when coated							

Example: **HN 2000x1000x550 - S1=200x3 - E1=315x1 - SPx1 - LED1670x1**
 HN 2000x1000x550 - E1=315x1 - SPx1 - LED1670x1

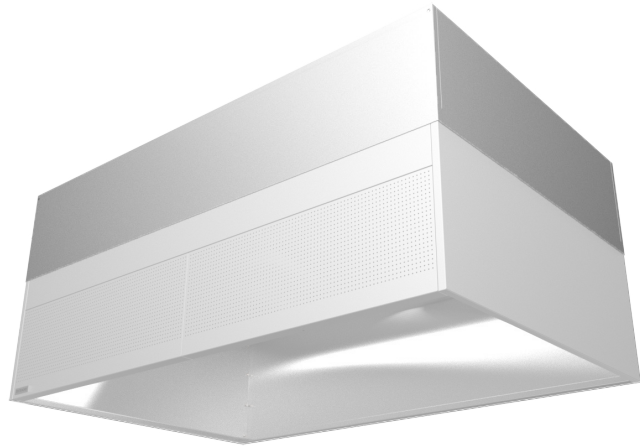
Accessories

CP Cover plates

Cover plates are made of stainless steel (AISI 304, surface 2K).

Cover plates are mounted in the area between the canopy and ceiling, when conduits and other components are to be concealed.

- CP-F – Front plate
- CP-B – Back plate
- CP-L – Left plate
- CP-R – Right plate





ETS NORD AS

Address: Peterburi tee 53
11415 Tallinn
Estonia

Phone: +372 680 7360
info@etsnord.ee
www.etsnord.ee

ETS NORD Finland

Address: Pakkasraitti 4
04360 Tuusula
Finland

Phone: +358 0401 842 842
info@etsnord.fi
www.etsnord.fi

ETS NORD Sweden

Address: Järsjögatan 7
69235 Kumla
Sweden

Phone: +46 707 80 50 16
info@etsnord.se
www.etsnord.se

info@etsnord.com
www.etsnord.com

Let's move the air together!