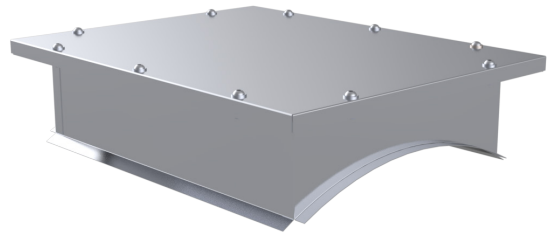


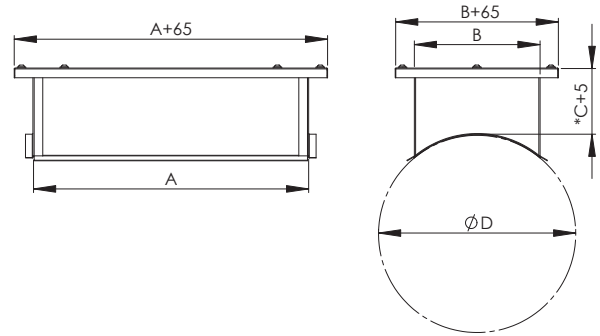
TPLE-T Insulated access door

Insulated access door for round duct of Ø 100-1000 mm.
 Access doors meet requirements for tightness class C (EVS-EN 12237:2003).
 Used fire insulation meets the testing methods requirements according to EN1366-1. Fire insulation strengths in accordance with EN-13501-1.



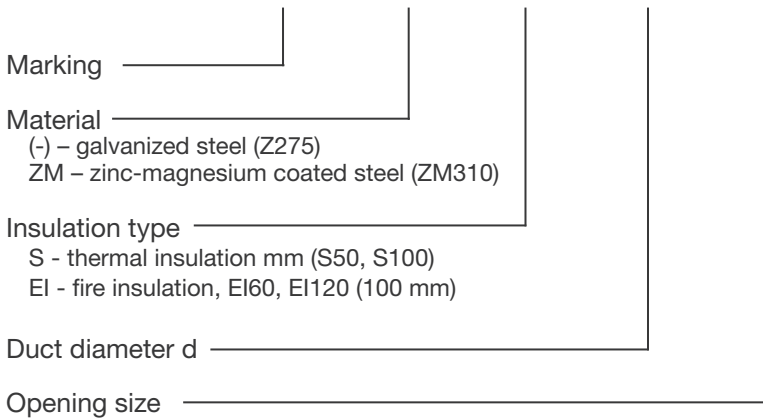
Nominal size Ø D, mm	A	B
100	200	100
125	200	100
160	200	100
200	200	100
250	200	100
315	200	100
400	300	200
500	300	200
630	400	300
800	400	300
1000	400	300

*C=Insulation thickness



Product code

TPLE-T - ZM - EI60 - d - AxB



Example: TPLE-T-S100-315