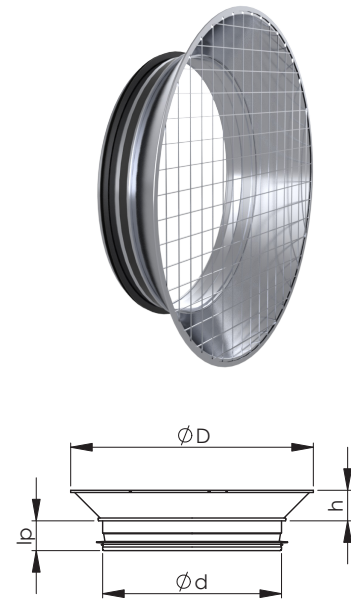


**NK-T Air intake with mesh**

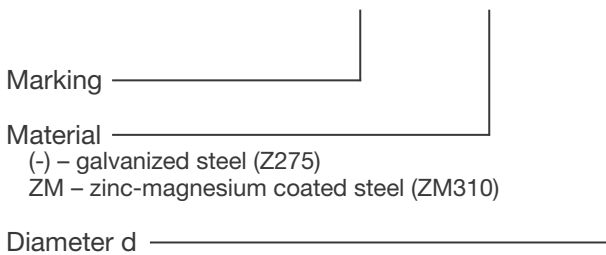
NK-T connection with a mesh is used as the end piece of ventilation ducts.

Nominal size				Weight,
d	l <sub>p</sub> , mm	h, mm	D, mm	kg
100	48	60	190	0,32
125	48	60	215	0,45
160	48	60	250	0,6
200	48	60	295	0,75
250	53	60	340	0,9
315	53	60	405	1,3
400	50	75	495	1,6
500	51	75	615	2,2
630	51	90	770	3,3
800	75	90	945	4,9
1000	89	105	1170	7,3



**Product code**

NK-T - ZM - d



**Example: NK-T 315**