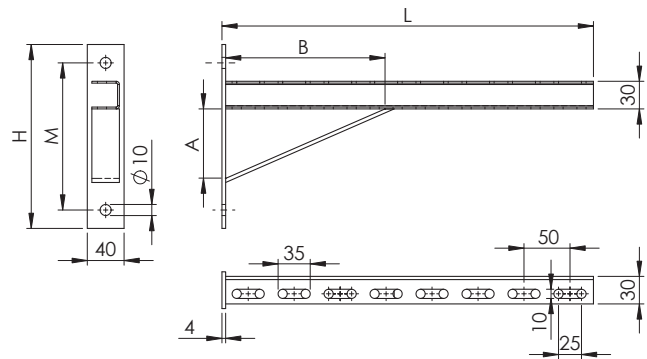
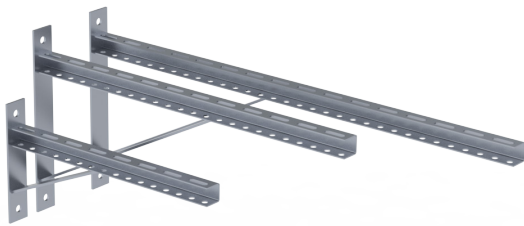


KOLI Supported cantilever



Long supported cantilever for the wall. Fabricated from 30x30x2 mm U-profile with a 40x4mm back plate. These cantilevers can be used to support rectangular ducts along walls. Standard products are suitable for use in the corrosivity class C1-C2. Powder coated cantilevers are suitable for use in the corrosivity class C1-C4.

Product, length L (mm)	H	M	A	B
KOLI 300	200	165	100	100
KOLI 400	200	165	100	100
KOLI 500	200	165	100	100
KOLI 600	200	165	100	100
KOLI 800	400	360	300	350
KOLI 1000	400	360	300	600
KOLI 1200	400	360	300	750

Allowed point loads

Permissible material tension: $\sigma_{ad} = 160 \text{ N/mm}^2$.
 Maximum deflection $L/150$.

Nominal size, L mm	Point load at $L/2$	Point load at L
KOLI 300	2,9 kN	1,4 kN
KOLI 400	1,6 kN	0,8 kN
KOLI 500	1,2 kN	0,6 kN
KOLI 600	0,9 kN	0,5 kN
KOLI 800	0,7 kN	0,4 kN
KOLI 1000	0,5 kN	0,3 kN
KOLI 1200	0,4 kN	0,2 kN

Product codes



Example: KOLI 600