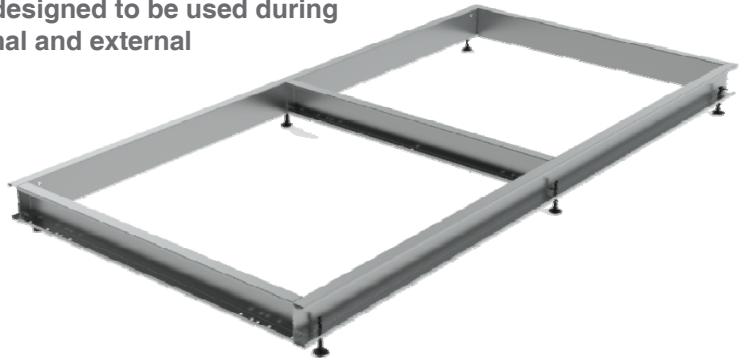


## CRL equipment mounting frame

A base frame for a ventilation equipment designed to be used during installation process of equipment in internal and external conditions.

### Advantages

- Facilitates easy levelling of equipment.
- Easy to re-direct condense water.
- Flexible design.
- Easy to assemble.
- Small size for easy transport.



### Fields of application

The equipment base frame is designed to be used during installation of various kinds of devices, both in building utility networks and also in food industry, laboratories, medicine industry, etc.

### Material and sizes

The frame is made of hot-galvanised steel sheet. As a special order the base frame can also be made of other materials. The adjustable feet of the base frame are made of galvanised steel with composite material shoe. As a special order feet can also be manufactured of stainless and acid-proof steel and provided with vibration dampening suspension shoes.

For higher version of the base frame additional steel feet are used.

The frame profiles are manufactured in three different heights – 100, 150, 200 mm.

The standard pitch of the frame sizes is 100 mm. Frames longer than 3 m are made of several sections.

Maximum thickness of the frame without an intermediate bar:

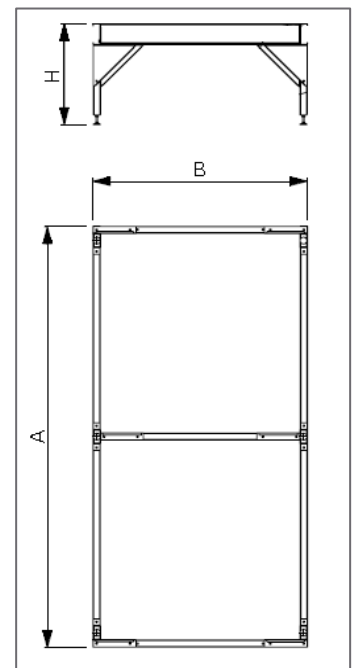
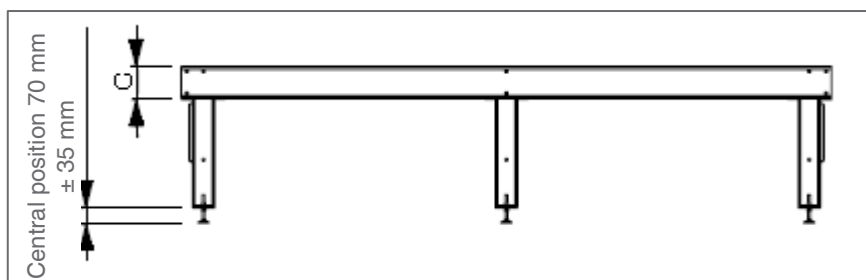
Profile height, C (mm)	Frame length, A (mm)
100	1600
150	1900
200	2000

The need for support legs depends on the weight of the device and measures of the frame.

Load bearing capacity of one foot is 650 kg.

Minimum height in case of a frame with support legs (type 3):

Frame profile	Height H (mm)
CRL-3-100	370
CRL-3-150	420
CRL-3-200	470



## Marking

The frames are manufactured based on an order with fixed nominal sizes of the frame.

<b>CRL</b>	<b>1</b>	<b>C</b>	<b>A</b>	<b>B</b>	<b>H</b>
Symbol	Type	Profile height	Length	Width	Height

**Example: CRL – 1 – 100 – 1000x1000x500**

### Frame types:

- 1- An equipment base frame without feet
- 2- An equipment base frame with adjustable feet (adjustment range from the central position  $\pm 35$  mm)
- 3- An equipment base frame with bended support feet

### Optional equipment:

The base frame can be ordered with a bedplate equipped with a condensate drain. The bedplate shall have fixed nominal sizes A x B x H mm.

## Installation

Installation shall be performed according to “Base frame installation instruction”.

It is important to ensure that the feet of the base frame are adjusted without a load and that the loaded frame is not dragged after.