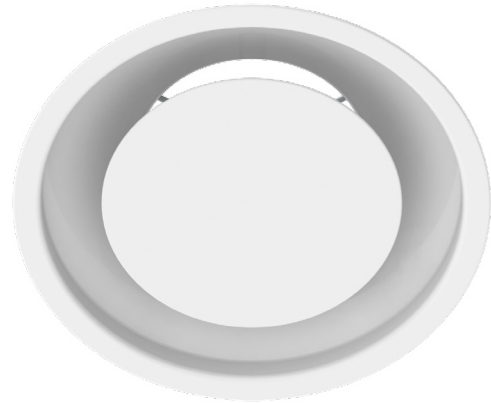


DKC Ceiling diffuser

Round ceiling diffuser.

Features:

- horizontal or vertical air jet
- suitable for over- or under-heated supply air
- installation in ceiling or free hanging
- duct sizes Ø 160-400 mm

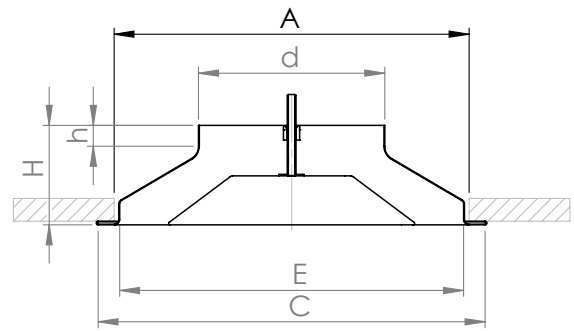


Material and finish

Manufactured of aluminium steel and coated white (RAL 9003).

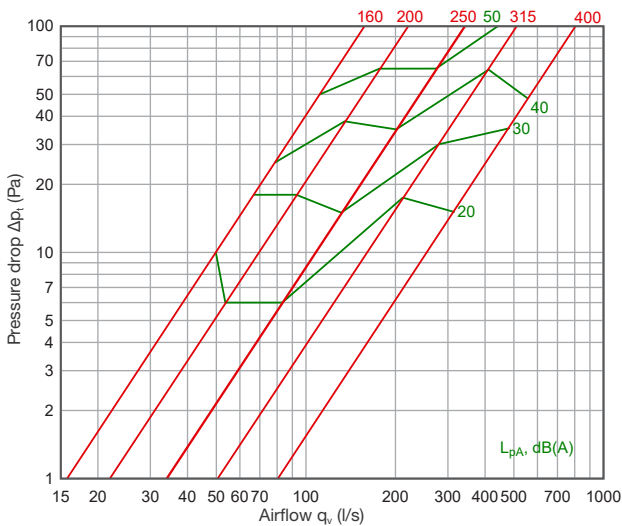
Measurements

Nominal size	d	E	C	h	H	A
160	157	280	335	45	105	288
200	198	360	423	48	118	370
250	248	445	517	48	130	461
315	313	560	640	48	146	576
400	398	680	776	65	185	700

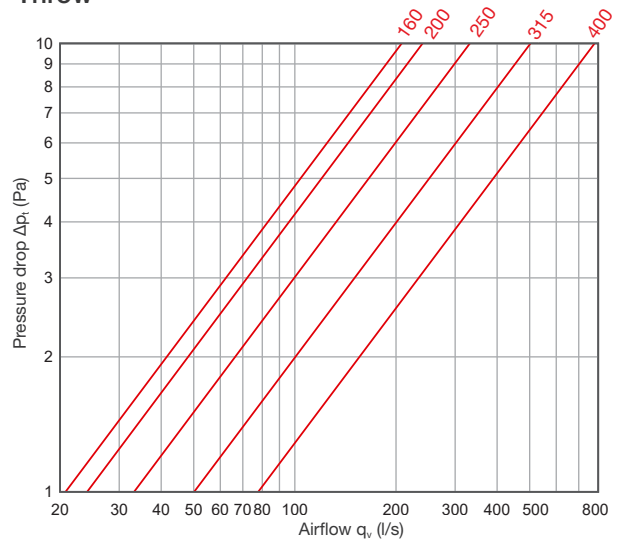


Technical data

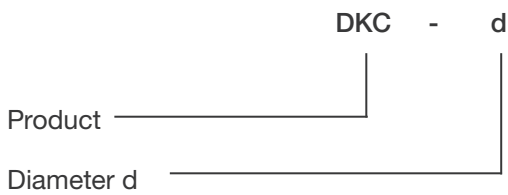
Acoustic data



Throw



Product codes



Example: DKC 200

Installation

Remove the inner cone. Attach the outer cone to duct or plenum box with rivets. Replace inner cone and adjust for position which gives the desired air flow and diffusion pattern.

Maintenance

Remove the inner cone by turning counter-clockwise. Clean surfaces with damp cloth. Replace inner cone in its original position.

N.B. Measure and note inner cone's original position.