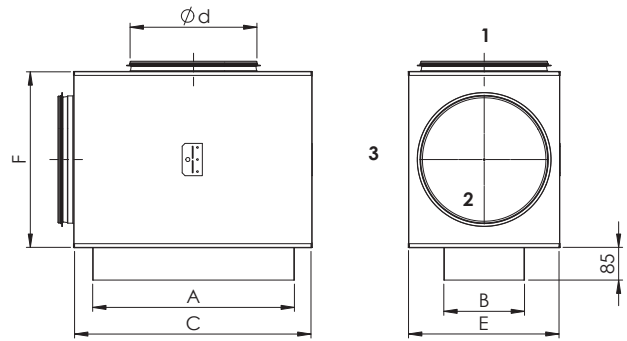
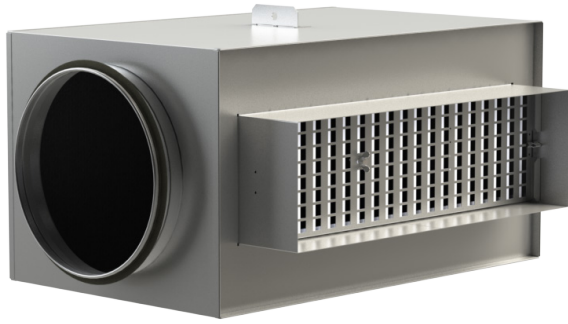


SKRM Plenum box



Used in combination with grilles for supply or exhaust air to reduce pressure difference, maintain even air flow to room and absorb sound.

Material and dimensions

Manufactured of galvanized steel and equipped with a round duct connection with rubber gasket. Sound absorption material glass wool covered with fiber-glass blanket.

Measurements	Ød	A	B	C	E	F
SKRM 200x100	125	200	100	290	185	245
SKRM 300x100	160	300	100	390	220	280
SKRM 400x100	160	400	100	490	220	280
SKRM 500x100	200	500	100	590	260	280
SKRM 200x150	160	200	150	290	220	280
SKRM 300x150	200	300	150	390	260	320
SKRM 400x150	250	400	150	490	310	370
SKRM 500x150	250	500	150	590	310	370
SKRM 600x150	250	600	150	690	310	370
SKRM 300x200	250	300	200	390	310	370
SKRM 400x200	250	400	200	490	310	370
SKRM 500x200	315	500	200	590	375	435
SKRM 600x200	315	600	200	690	375	435
SKRM 800x200	315	800	200	890	375	435
SKRM 600x300	315	600	300	690	475	435
SKRM 800x300	315	800	300	890	475	435
SKRM 800x400	315	800	500	890	575	435
SKRM 1000x200	315	1000	200	1090	375	435

More info about the technical data see RSP/RSV general grille product sheet.

Product codes

SKRM	AxB	1
Product	Width x Height	1- Duct connection rear 2- Duct connection side 3- Duct connection top

Example: SKRM 400x100-1