

## RSO Transfer air grille

- Adjustable according to wall or door thickness
- Very small pressure loss
- Prevents visual contact between rooms

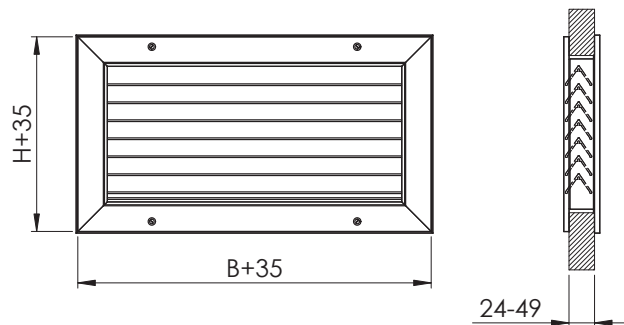


Grille for transfer air between rooms. Installed in door or wall. Installation thickness for grille and frame is 25-50 mm. If wall or door thickness exceeds 50 mm, two grilles can be used without mounting frame. Airflow through the grille is caused by pressure difference between rooms.

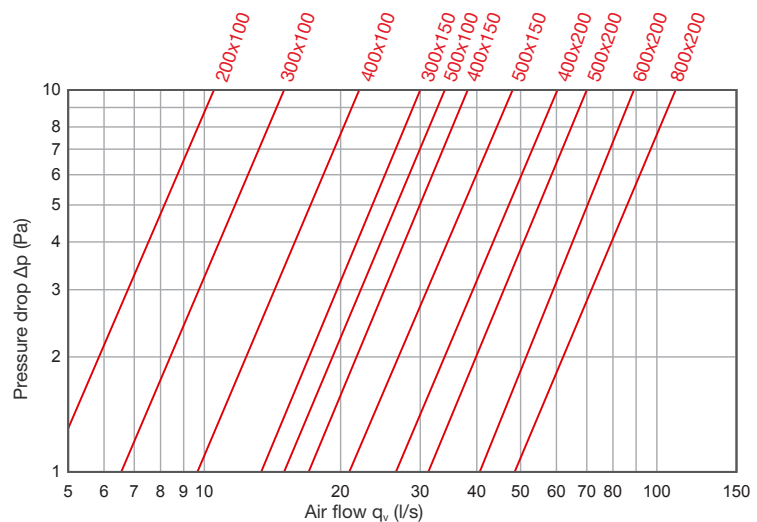
### Structure and dimensions

Manufactured of aluminum profiles. Bars are V-shaped. Measures to fit cutting measures in wall or door (BxH). Standard colour white (RAL 9003). Other RAL colours available.

Nominal size BxH
200x100
300x100
400x100
500x100
300x150
400x150
500x150
600x150
400x200
500x200
600x200
800x200



### Technical data



## Product codes

<b>RSO</b>	<b>B x H</b>	<b>RAL 9003</b>
Product	Width x Height	RAL colour

### Example: RSO 500x200

RAL colour: if other than standard colour (RAL 9003, white).

## Installation

The grille is installed to the visually more important side of the wall or door, and the mounting frame on the other side. Final attachment with screws.

For structural width exceeding 50 mm, two grilles are used without mounting frame. A rectangular duct can be installed between the two grilles.