

RSL Sound attenuating transfer grille

- Adjustable according to wall or door thickness
- Small pressure loss
- Easy to clean
- Absorbs sound between rooms
- Prevents visual contact between rooms

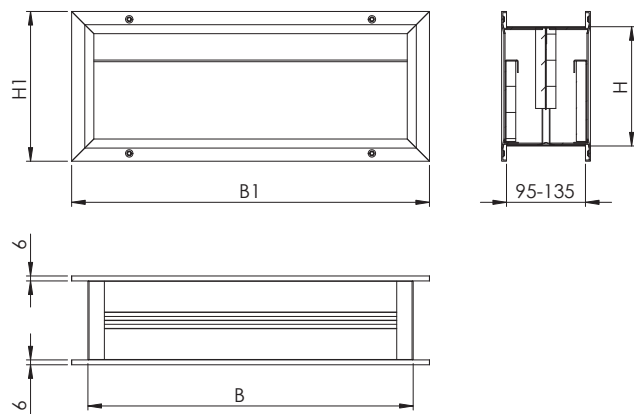
Grille for transfer air between rooms. Installing thickness 95-125 mm. Airflow through the grille is caused by pressure difference between rooms. The grille includes sound absorbing plates to attenuate sound between rooms and absorb airflow noise. Usually installed in wall above a door.



Structure and dimensions

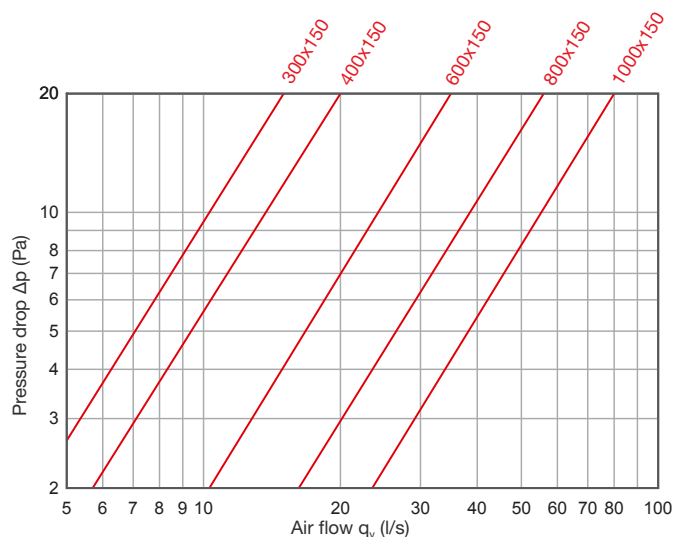
RSL air grille frame is manufactured of aluminum profiles and the absorbing panels are from aluminium steel sheet. Sound attenuation material is coated mineral wool. The grill have a white (RAL 9010) finish by standard, but are also available in any other RAL colours.

Nominal size	BxH	B1xH1	Cutting dimensions
300x150	295x145	335x182	300x150
400x150	395x145	435x182	400x150
600x150	595x145	635x182	600x150
800x150	795x145	835x182	800x150
1000x150	995x145	1035x182	1000x150



Technical data

The sound level is less than 25 dB(A), when the pressure drop is 20 Pa. Recommended maximum pressure difference between rooms is 15 Pa.



Sound attenuation

Dimensions	Mid-frequency of octave band (Hz)							
	63	125	250	500	1000	2000	4000	8000
RSL 300x150	0	24	23	25	36	39	39	0
RSL 400x150	0	21	20	23	31	38	39	0
RSL 600x150	0	19	17	21	29	37	39	0
RSL 800x150	0	17	16	20	27	36	38	0
RSL 1000x150	0	15	14	19	25	35	37	0

Product codes

RSL	BxH	RAL 9010
Product	Nominal size	RAL colour

Example: RSL 600x150

RAL colour: if other than standard colour (RAL 9010, white).