

UVK Roof hood

UVK rectangular roof hood both exhaust or free flow ventilation systems.

Features:

- Low design
- Solid structure
- Low pressure loss

Application

Suitable for both natural and mechanical ventilation.
Rainwater is drained onto the roof by the structure of the hood.

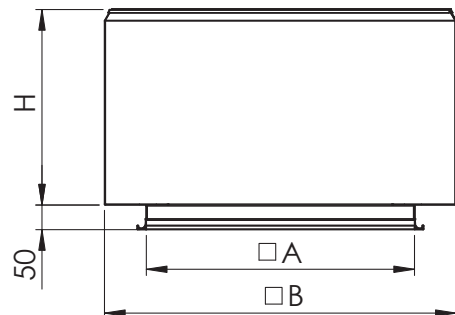


Material and sizes

Manufactured of zinc-magnesium coated sheet steel DX51D+ZM310. Can also be manufactured of other materials and in coated finish. As standard the roof hood is equipped with europrofile connection (E20 - UVK 400...1200, E30 - UVK 1300...1400). With separate order can also be manufactured for installation above a roof transition (MKL roof transition).

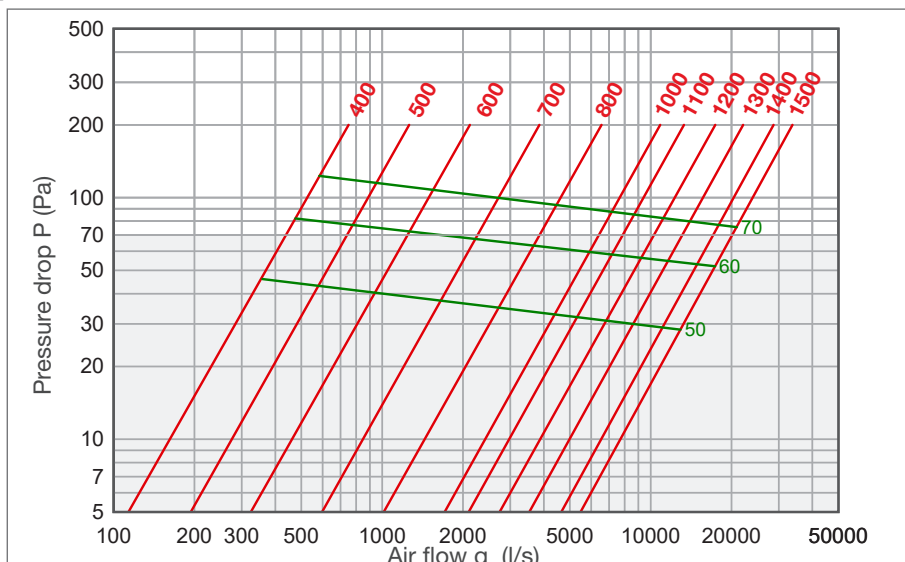
For the lifting there are slots in the internal supports.

Nominal size mm	A	B	H	Weight, kg	MKL (50 mm insulation)
400	400	460	270	10	MKL 400
500	500	620	330	15	MKL 500
600	600	785	435	25	MKL 600
700	700	950	485	33	MKL 700
800	800	1115	545	44	MKL 800
900	900	1280	605	58	MKL 900
1000	1000	1450	655	67	MKL 1000
1100	1100	1620	762	96	MKL 1100
1200	1200	1795	815	107	MKL 1200
1300	1300	1970	860	125	MKL 1300
1400	1400	2150	910	145	MKL 1400
1500	1500	2350	959	170	MKL 1500



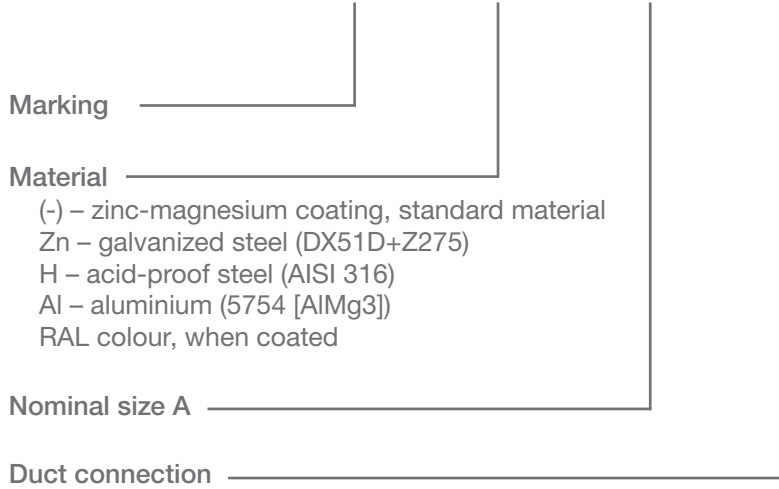
8
NORDroof | UVK

Pressure drop - Air flow - Extract air



Product codes

UVK - Material - A - E20



Marking

Material

- (-) – zinc-magnesium coating, standard material
- Zn – galvanized steel (DX51D+Z275)
- H – acid-proof steel (AISI 316)
- Al – aluminium (5754 [AlMg3])
- RAL colour, when coated

Nominal size A

Duct connection

- E20 - europrofile for rectangular duct
- E30 - europrofile for rectangular duct
- KL - for roof transition + outer dimensions

- Example:**
- UVK 400 - E20**
 - UVK 400 - KL 400x400**
 - UVK-H 800 Roof hood, AISI316**

Accessories:

MKL roof transition.

UVK roof hood connecting with MKL roof transition (50 mm insulation).

