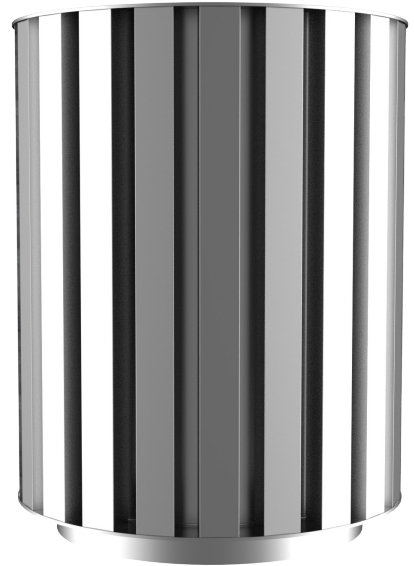


## URS Air intake device

Roof-mounted device for intake of fresh air into the ventilation system.

**Features:**

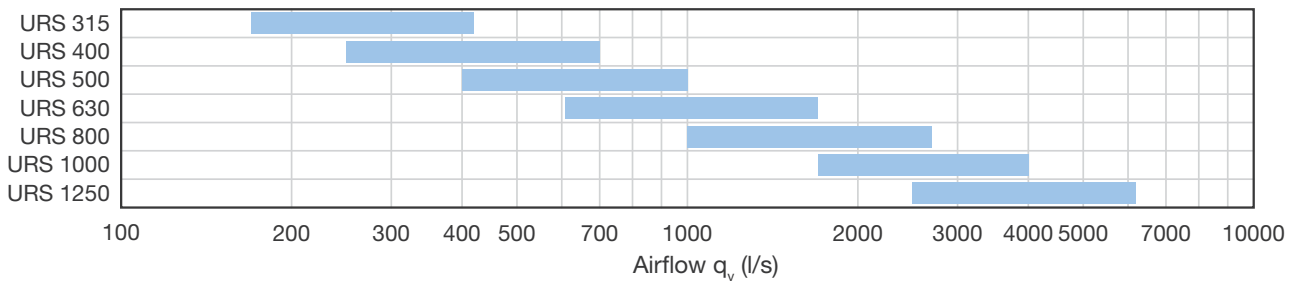
- Low design
- Excellent storm water and snow resistance
- Solid structure
- Optimum pressure drop
- Low sound level
- Innovative design



### Application

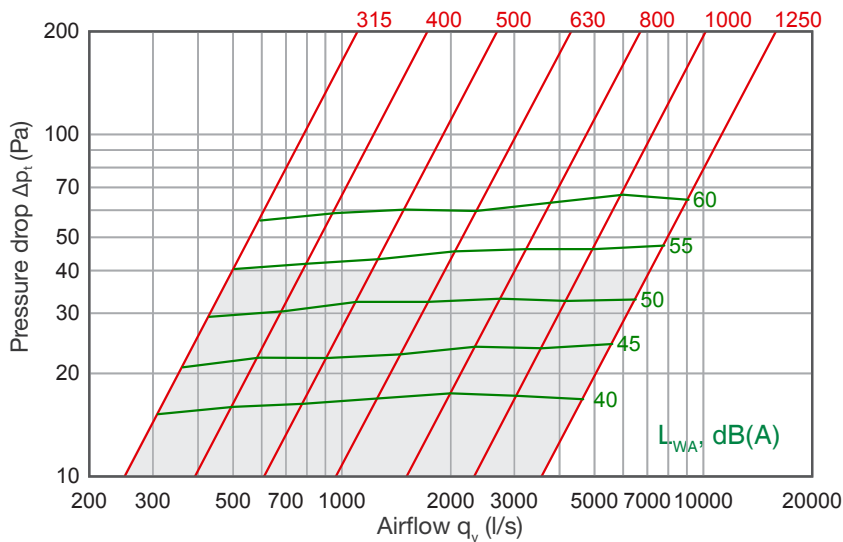
Designed to operate in tough conditions. The labyrinth structure ensures good resistance (rain, snow, hail) in stormy weather (wind speeds up to 25 m/s).

### Quick selection



### Pressure drop - Airflow

Recommended maximum pressure loss 40 Pa.



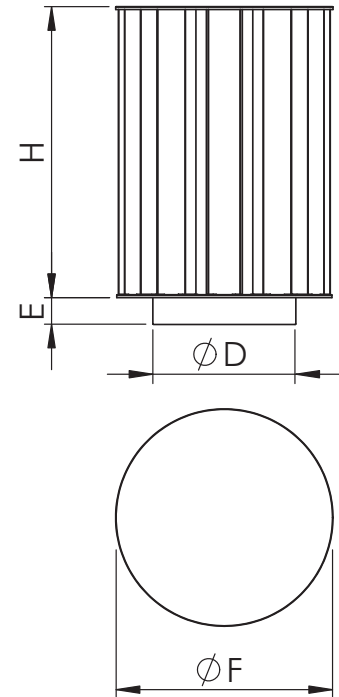
**Material, dimensions and technical data**

Manufactured of zinc-magnesium coated sheet steel (DX51D+ZM310). Can also be manufactured of other materials and in coated finish.

Sizes Ø 315-400 mm with a female connection which fits outside a ventilation duct and sizes Ø 500-1250 mm with VRL flange duct connection. Counterflange ordered separately.

Starting from Ø 500, equipped with lifting and anchoring bracket.

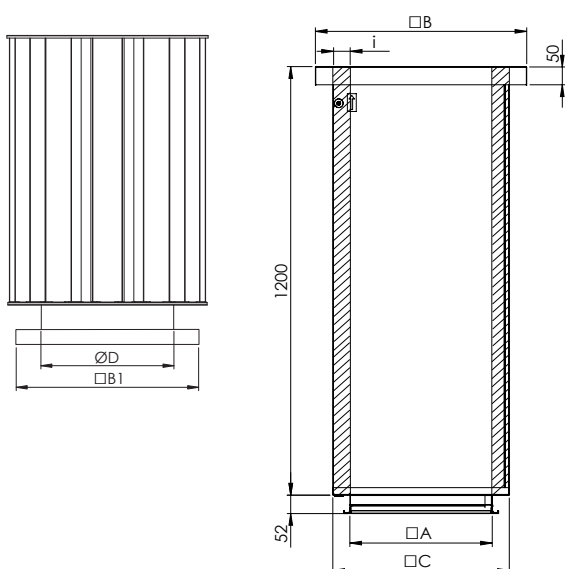
Nominal size		H, mm	E, mm	Weight, kg	Airflow, l/s	
D, mm	F, mm				min	max
315	515	815	90	34	170	420
400	600	815	90	40	250	700
500	700	1015	90	61	400	1100
630	830	1215	100	79	610	1700
800	1000	1215	100	107	1000	2700
1000	1200	1215	100	183	1700	4000
1250	1450	1540	100	217	2500	6200



We recommend the rain-plate connection! It is the safest option for waterproofing.

**URS Air intake device + MKLI Roof transition**

URS+KL Air intake device	MKLI Roof transition	Nominal size URS	B1, mm	MKLI Size	A, mm	i=50		URS+ MKLI Weight kg
						C, mm	B, mm	
		URS 315	500	MKLI 3	300	395	495	58
		URS 400	600	MKLI 4	400	495	595	70
		URS 500	700	MKLI 5	500	595	695	97
		URS 630	800	MKLI 6	600	695	795	122
		URS 800	1000	MKLI 8	800	895	995	165
		URS 1000	1200	MKLI 10	1000	1095	1195	266
		URS 1250	1500	MKLI 13	1300	1395	1495	325



The dimensions of MKLI are with 50 mm insulation.  
 Data for MKLI with 100 mm insulation (EI120) see MKLI data sheet.  
 The standard height of the MKLI is 1200 mm.

**Product code**

**URS - Material - D - KL-B1xB1 - RAL**

Marking

Material

Standard material zinc-magnesium coated steel  
 H – acid-proof steel (AISI 316)

Nominal size D

Roof transition installation

KL-B1xB1 – Dimensions for roof transition connection

RAL

RAL colour, when coated

**Example:**

**URS 315 Air intake device**

**URS-H 315 Air intake device (AISI 316)**

**URS 315-RAL7000 Air intake device (coated)**

**URS 315-KL-500x500 Air intake device for roof transition**