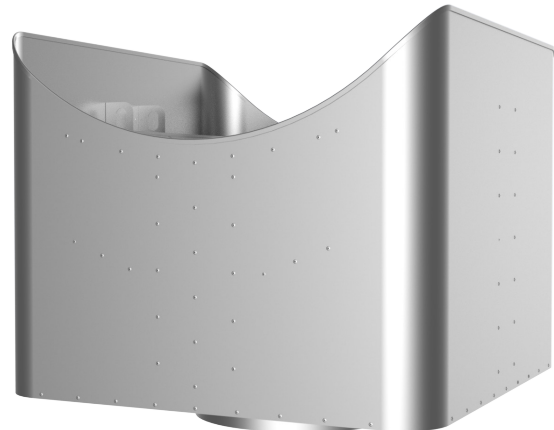


ULV2 Exhaust air diffuser

Exhaust air diffuser with round connection. Protects the duct system from precipitation.

Features:

- Dimensions Ø160-1600 mm
- Low design
- Long vertical exhaust pattern
- Solid structure
- Low pressure loss
- Low sound level



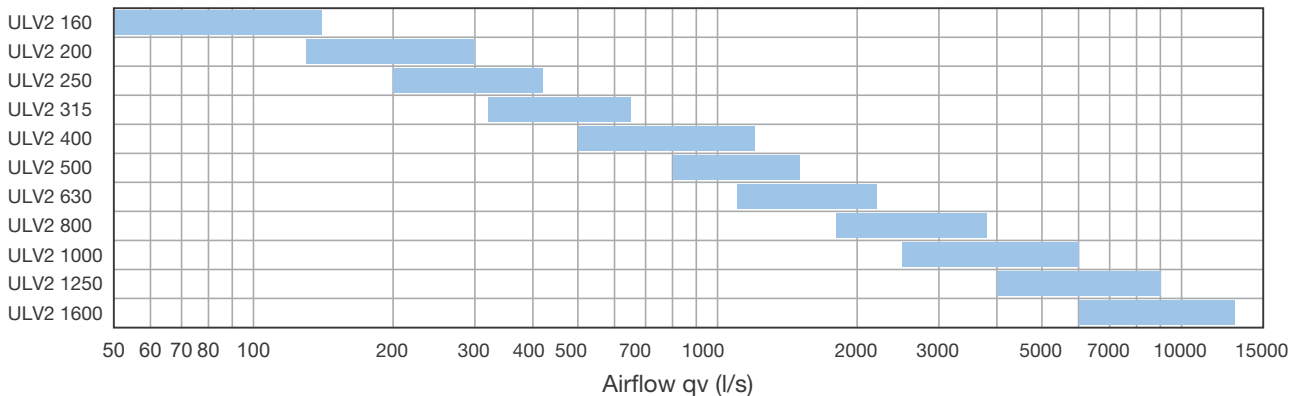
Application

Exhaust air is blown vertically up with low pressure loss and high speed through the unit. This ensures that odours and dirt in exhaust air will not fall on the area around the exhaust diffuser.

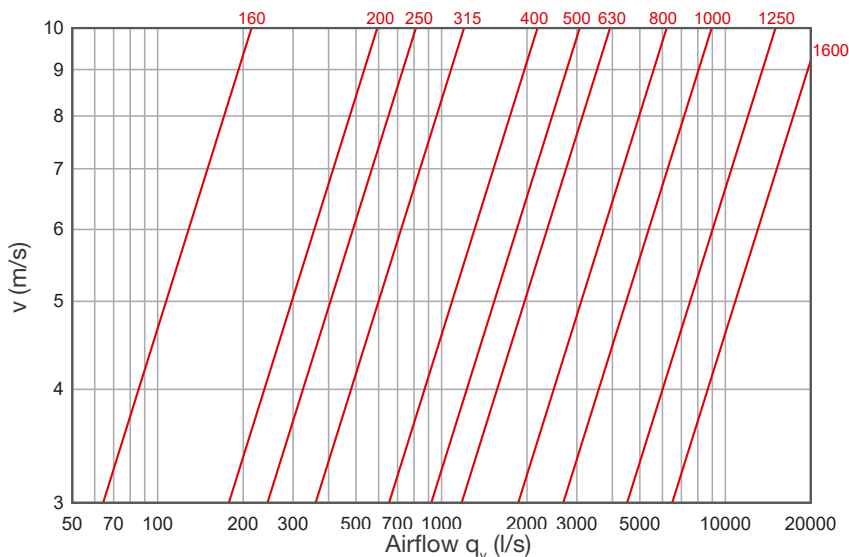
Design of the unit efficiently prevents rainwater from entering duct. Rainwater is drained onto the roof from the base of the unit.

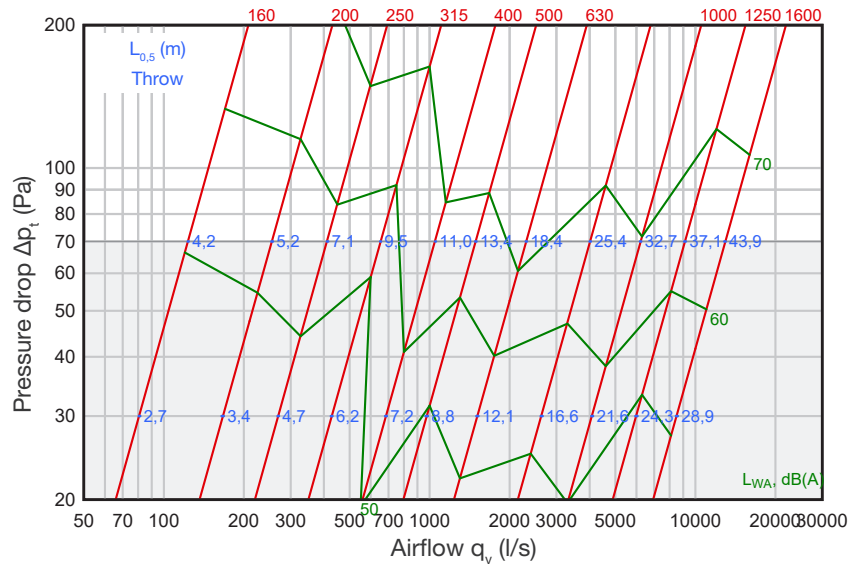


Quick selection



Pressure drop - Airflow - Extract air

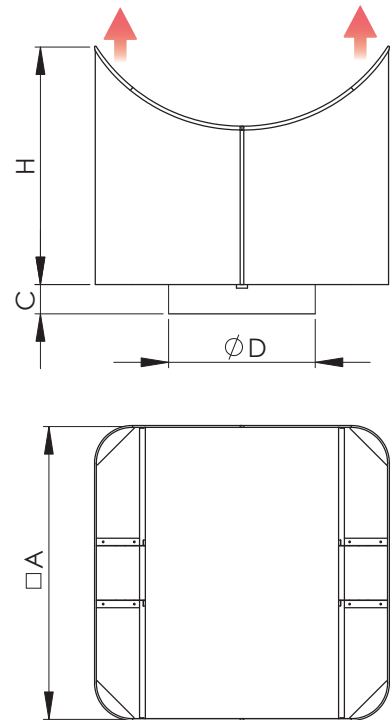




Material and dimensions

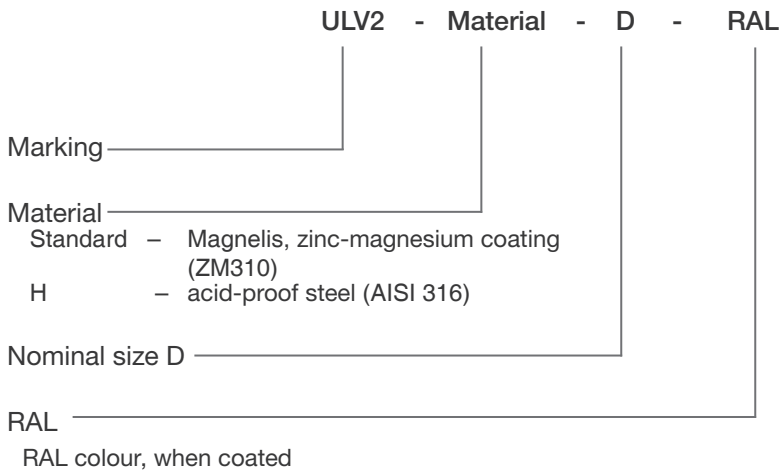
Manufactured of zinc-magnesium coated sheet steel, DX51D+ZM310. Standard: sizes \varnothing 160-400 mm are with a female connection which fits outside a ventilation duct and sizes \varnothing 500-1250 mm with VRL flange duct connection. Counterflange ordered separately.

In special order can also be manufactured of other materials and in powder coated finish (RAL colorcard).



Nominal size D, mm	A, mm	H, mm	C, mm	Weight, kg	Airflow, l/s	
					Min	max
160	340	345	100	5	50	140
200	400	300	100	7	130	300
250	500	375	100	10	200	420
315	600	450	100	14	320	650
400	800	650	100	25	500	1200
500	1000	800	100	37	700	1600
630	1200	1000	100	57	1100	2200
800	1500	1100	100	92	1800	3800
1000	1600	1200	100	121	2500	6000
1250	1900	1250	100	142	4000	9000
1600	2400	1800	100	255	6000	13000

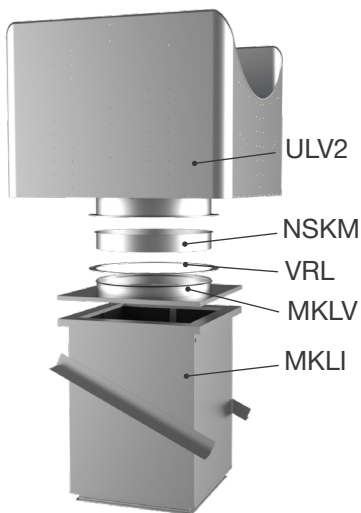
Product codes



Example: **ULV2 160 Exhaust air diffuser**
 ULV2 160-RAL7000 Exhaust air diffuser (coated)

Accessories:

Appropriate accessories for connecting ULV2 to the MKLI roof transition.



ULV2	MKLI Roof transiton	MKLV Round coupling with rain-plate	VRL Flange	NSKM Take-off
ULV2 160	MKLI 2	MKLV 2-160	-	-
ULV2 200	MKLI 2	MKLV 2-200	-	-
ULV2 250	MKLI 3	MKLV 3-250	-	-
ULV2 315	MKLI 3	MKLV 3-315	-	-
ULV2 400	MKLI 4	MKLV 4-400	-	-
ULV2 500	MKLI 5	MKLV 5-500	VRL 500	NSKM 500
ULV2 630	MKLI 6	MKLV 6-630	VRL 630	NSKM 630
ULV2 800	MKLI 8	MKLV 8-800	VRL 800	NSKM 800
ULV2 1000	MKLI 10	MKLV 10-1000	VRL 1000	NSKM 1000
ULV2 1250	MKLI 13	MKLV 13-1250	VRL 1250	NSKM 1250
ULV2 1600	MKLI 16	MKLV 16-1600	VRL 1600	NSKM 1600

The dimensions of MKLV are with 50 mm insulation.
 Data for MKLI with 100 mm insulation (EI120) see MKLI data sheet.
 The standard height of the MKLI is 1200 mm.