

ULV2P Exhaust air diffuser

Rectangular exhaust diffuser with rectangular connections. Protects the duct system from precipitation.

Features:

- Low design
- Long vertical exhaust pattern
- Solid structure
- Low pressure loss
- Low sound level
- Unique form
- Can be installed directly in a roof transition



Application

Exhaust air is blown vertically up with low pressure loss and high speed through the unit. This ensures that odours and dirt in exhaust air will not fall on the area around the exhaust diffuser.

Design of the unit efficiently prevents rainwater from entering duct. Rainwater is drained onto the roof from the base of the unit.

Material, dimensions and technical data

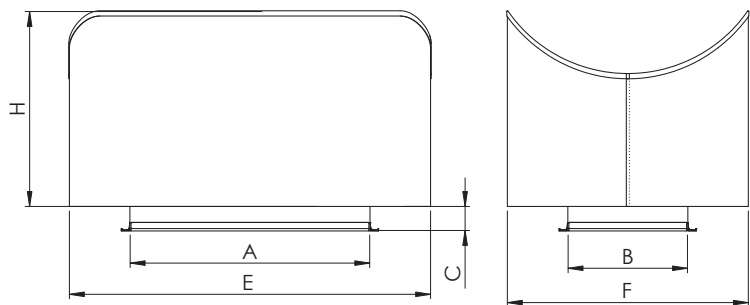
ULV2P is manufactured of zinc-magnesium coated sheet steel, DX51D+ZM310.

As standard the ULV2P is equipped with europrofile E30.

Can also be manufactured of other materials and in coated finish.

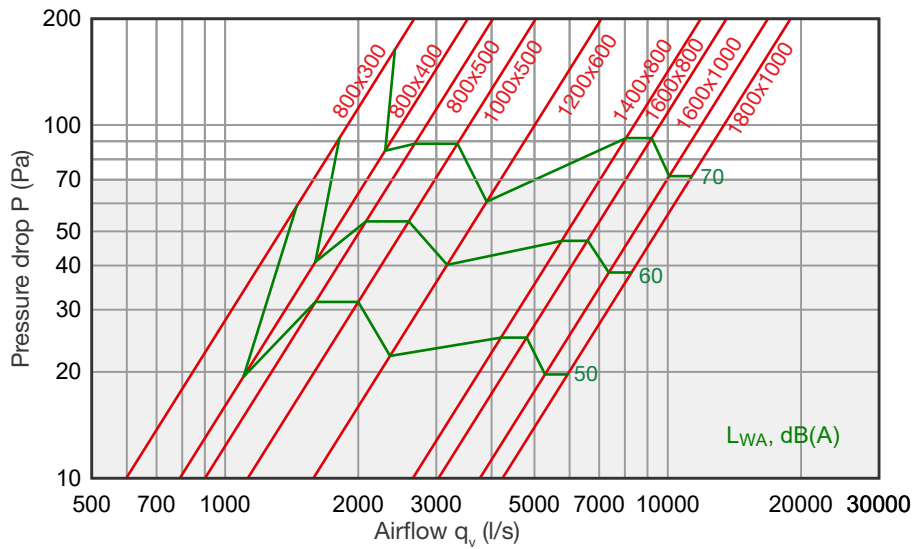
In addition, it is possible to order a exhaust air diffuser with a rain-plate connection (KL), which fits directly into the roof transition (MKL, MKLI).

The variable side is side A.



Nominal size	A, mm	B, mm	E, mm	F, mm	H, mm	C, mm	Weight, kg
800x300	800	300	1100	600	450	100	35
800x400	800	400	1200	800	650	100	48
800x500	800	500	1300	1000	800	100	62
1000x500	1000	500	1500	1000	800	100	72
1200x600	1200	600	1800	1200	1000	100	109
1400x800	1400	800	2100	1500	1100	100	115
1600x800	1600	800	2300	1500	1100	100	145
1600x1000	1600	1000	2200	1600	1200	100	155
1800x1000	1800	1000	2400	1600	1200	100	170

Pressure drop - Airflow - Extract air



Product code

ULV2P - Material - A x B - E30 - RAL

Marking				
Material	Standard - zinc-magnesium coating (ZM310) H - acid-proof steel (AISI 316)			
Nominal size A x B				
Duct connection	E30 - europrofile connection 30 mm KL A1xB1 - Dimensions for roof transition connection			
RAL	RAL colour, when coated			

Example: ULV2P 1000x500-E30 Exhaust air diffuser with E30-profile
 ULV2P 1000x500-E30-RAL7000 Exhaust air diffuser with E30-profile (coated)