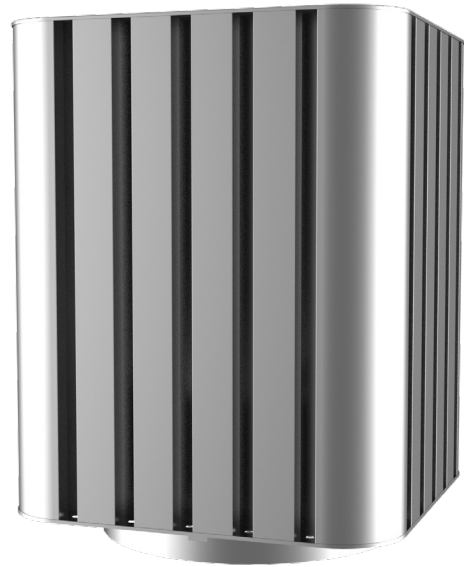


ULS Air intake device

Roof-mounted device for intake of fresh air into the ventilation system.



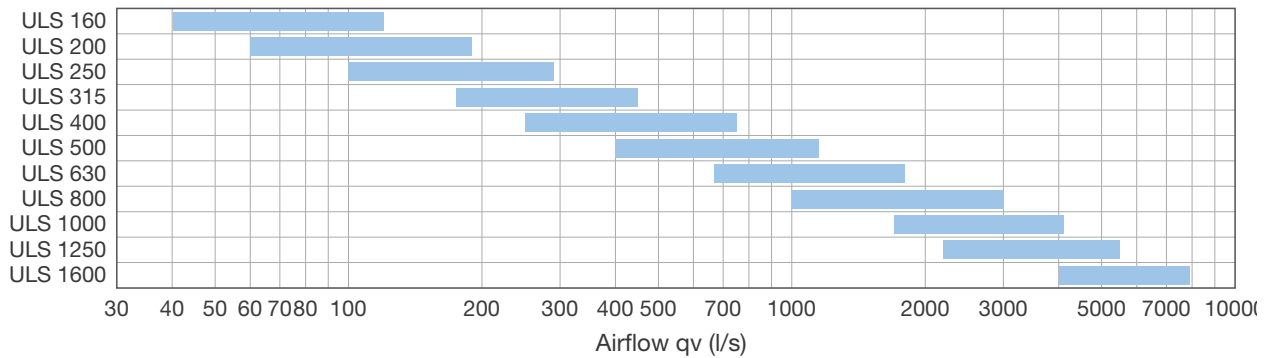
Features:

- Low design
- Excellent storm water and snow resistance
- Solid structure
- Optimum pressure drop
- Low noise level
- Innovative design

Application

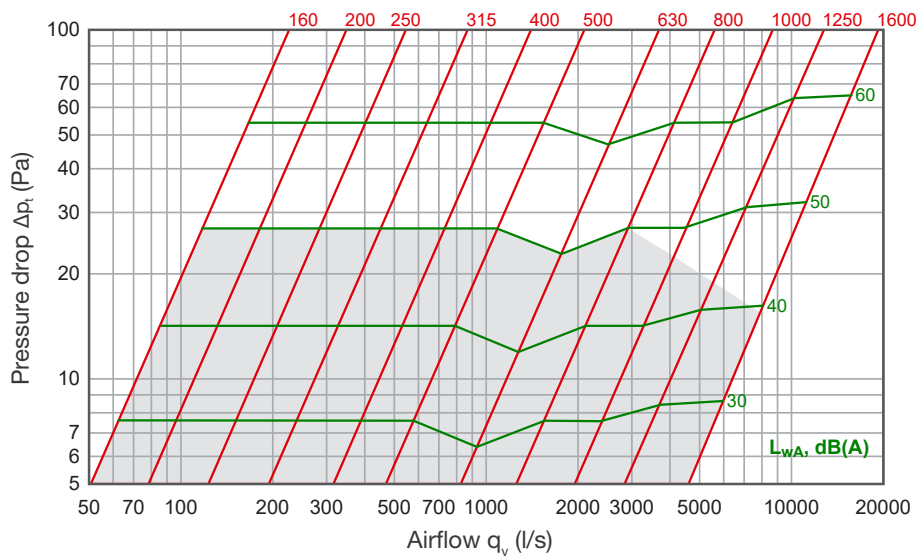
Designed to operate in tough conditions. The labyrinth structure ensures good resistance (rain, snow, hail) in stormy weather (wind speed up to 25 m/s).

Quick selection



Pressure drop - Airflow

Recommended maximum pressure loss 30 Pa.



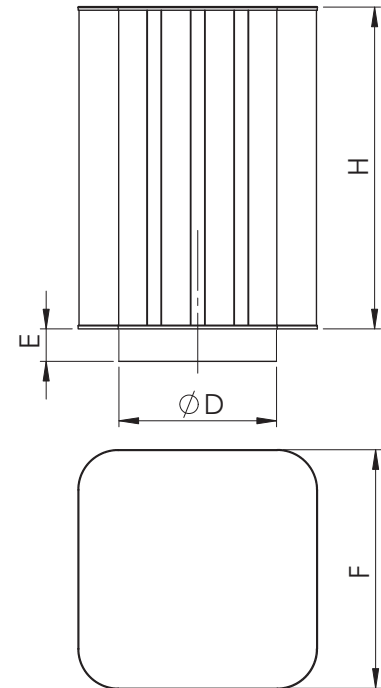
Material, dimensions and technical data

Manufactured of zinc-magnesium coated sheet steel, DX51D+ZM310. Can also be manufactured of other materials and in powder coated finish.

Sizes Ø 160-400 mm are with a female connection which fits outside a ventilation duct and sizes Ø 500-1600 mm with VRL flange duct connection. Counterflange ordered separately.

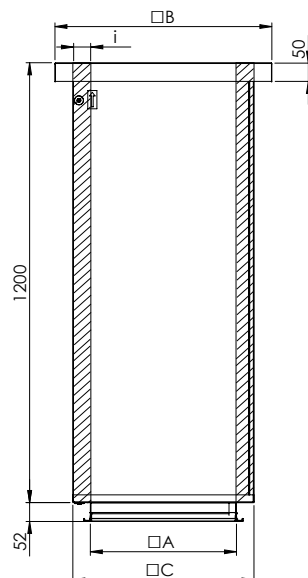
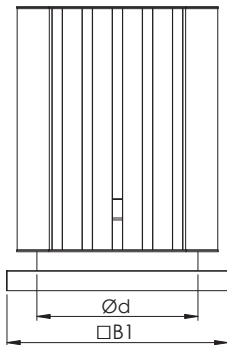
Starting from Ø 315 mm, equipped with lifting and anchoring bracket.

Nominal size D, mm	F, mm	H, mm	C, mm	Weight, kg	Airflow, l/s	
					min	max
160	240	200	90	7	40	120
200	280	320	90	10	60	190
250	330	340	90	12	100	290
315	500	812	90	34	175	450
400	600	812	90	40	250	750
500	700	1012	90	61	400	1150
630	830	1220	100	79	670	1800
800	1000	1220	100	107	1000	3000
1000	1400	1220	100	183	1700	4100
1250	1450	1525	100	217	2200	5500
1600	1800	1800	150	329	4000	7900



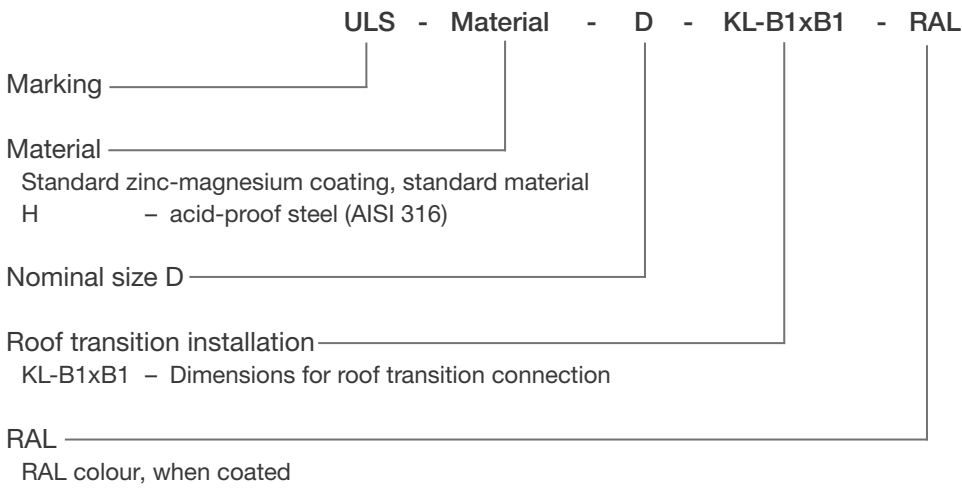
We recommend the rain-plate connection! It is the safest option for waterproofing.

ULS Air intake device with KL-connection	MKLI Roof transition	Nominal size ULS	B1, mm	MKLI Size	A, mm	i=50		ULS+MKLI Weight, kg
						C, mm	B, mm	
		ULS 160	400	MKLI 2	200	295	395	24
		ULS 200	400	MKLI 2	200	295	395	27
		ULS 250	500	MKLI 3	300	395	495	36
		ULS 315	500	MKLI 3	300	395	495	58
		ULS 400	600	MKLI 4	400	495	595	70
		ULS 500	700	MKLI 5	500	595	695	97
		ULS 630	800	MKLI 6	600	695	795	122
		ULS 800	1000	MKLI 8	800	895	995	165
		ULS 1000	1200	MKLI 10	1000	1095	1195	266
		ULS 1250	1500	MKLI 13	1300	1395	1495	325
		ULS 1600	1800	MKLI 16	1600	1595	1795	464



The dimensions of MKLI are with 50 mm insulation. Data for MKLI with 100 mm insulation (EI120) see MKLI data sheet. The standard height of the MKLI is 1200 mm.

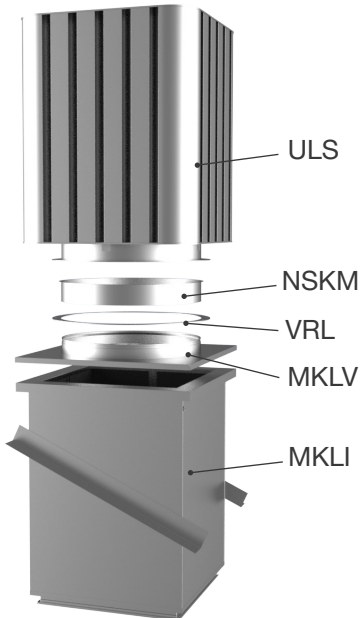
Product codes



- Example:**
- ULS 315 Air intake device**
 - ULS-H 315 Air intake device, acidproof**
 - ULS 315-RAL7000 Air intake device (coated)**
 - ULS 315-KL-500x500 Air intake device for roof transition**

Accessories:

Appropriate accessories for connecting ULS to the MKLI roof transition.



ULS	MKLI Roof transition	MKLV Round coupling with rain-plate	VRL Flange	NSKM Take-off
ULS 160	MKLI 2	MKLV 2-160	-	-
ULS 200	MKLI 2	MKLV 2-200	-	-
ULS 250	MKLI 3	MKLV 3-250	-	-
ULS 315	MKLI 3	MKLV 3-315	-	-
ULS 400	MKLI 4	MKLV 4-400	-	-
ULS 500	MKLI 5	MKLV 5-500	VRL 500	NSKM 500
ULS 630	MKLI 6	MKLV 6-630	VRL 630	NSKM 630
ULS 800	MKLI 8	MKLV 8-800	VRL 800	NSKM 800
ULS 1000	MKLI 10	MKLV 10-1000	VRL 1000	NSKM 1000
ULS 1250	MKLI 13	MKLV 13-1250	VRL 1250	NSKM 1250
ULS 1600	MKLI 16	MKLV 16-1600	VRL 1600	NSKM 1600

MKLV data are given for MKLI roof transition with 50 mm insulation.
 Data for MKLI with 100 mm insulation (EI120) see MKLI data sheet.
 The standard height of the MKLI is 1200 mm.