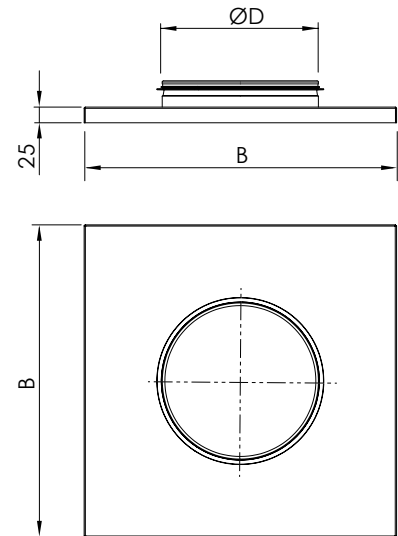


MKLV Round coupling with rain-plate

MKLV is a round coupling for connecting a roof transition with a roof hood.
 The edge of the fitting is bent down 25 mm.
 The MKLV fitting is manufactured of zinc-magnesium coated steel sheet (ZM310) as standard and round connection is equipped with EPDM seal.



| Size | d | B | | Weight, kg |
|------|------|---------------------|----------------------|------------|
| | | insul. 50 mm (MKLI) | insul. 100 mm (MKLI) | |
| 2 | 100 | 400 | 500 | 1,2 |
| 2 | 125 | 400 | 500 | 1,2 |
| 2 | 160 | 400 | 500 | 1,2 |
| 2 | 200 | 400 | 500 | 1,2 |
| 3 | 250 | 500 | 600 | 1,8 |
| 4 | 315 | 600 | 700 | 3,0 |
| 4 | 400 | 600 | 700 | 3,0 |
| 5 | 400 | 700 | 800 | 3,6 |
| 6 | 500 | 800 | 900 | 4,9 |
| 7 | 630 | 900 | 1000 | 5,7 |
| 8 | 800 | 1000 | 1100 | 6,3 |
| 9 | 800 | 1100 | 1200 | 8,0 |
| 10 | 1000 | 1200 | 1300 | 8,9 |
| 11 | 1000 | 1300 | 1400 | 10,9 |
| 12 | 1250 | 1400 | 1500 | 10,2 |
| 13 | 1250 | 1500 | 1600 | 12,6 |
| 14 | 1250 | 1600 | 1700 | 13,5 |
| 15 | 1250 | 1700 | 1800 | 14,2 |
| 16 | 1600 | 1800 | 1900 | 14,9 |



Product codes

MKLV - Material - 3 - d - BxB - RAL

Marking _____

Material _____
 Standardina ZM310 (ei mǎrgita)
 Zn – galvanized steel sheet (DX51D+Z275)
 H – acid-proof steel sheet (AISI 316)

Size _____

Diameter d _____

Dimension B x B _____

RAL _____
 RAL colour, when coated

Example: MKLV 500x500/315