

KRU Regulating and shut-off damper

KRU - rectangular regulating and shut-off damper is de-signed for closing air ducts and adjusting the air flow in ventilation systems.

KRU - sealed regulating and shut-off damper with thermally insulated blades, air tightness class 4 (EN 1751).

Damper versions:

KRU - sealed regulating and shut-off damper.

KRU-25 - sealed regulating and shut-off damper with thermally insulated blades, the measured thermal transmittance

$$U_d = 2,5 \text{ W}/(\text{m}^2\text{K}).$$

KRU-23 - sealed regulating and shut-off damper with thermally insulated blades and an thermally insulated external casing, the measured thermal transmittance

$$U_d = 2,3 \text{ W}/(\text{m}^2\text{K}).$$

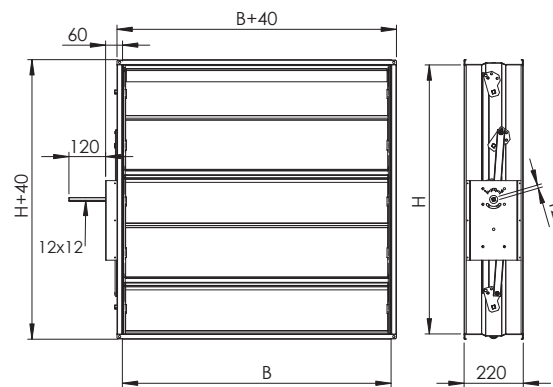
Areas of use

Used in air duct systems, in which significant temperature differences and good tightness and thermal insulation are required.

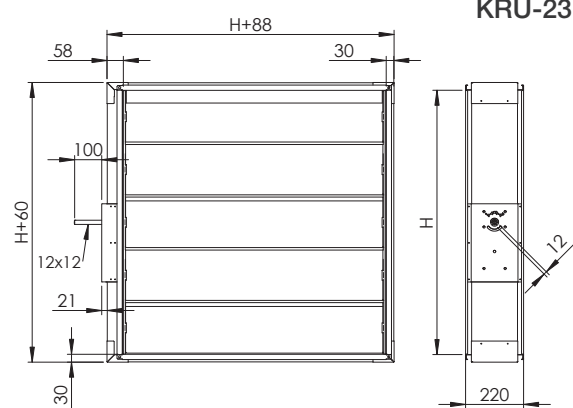
The normal operation temperature area is -40°C...+80°C.



KRU/KRU-25



KRU-23



Structure and dimensions

KRU dampers are manufactured of galvanized steel. The blades rotate in the case on polyamide bearings. The damper has profiled blades with polyamide covers at the ends and silicone-sealed edges. The blades are filled with mineral wool.

All blades have a profiled sandwich structure and smooth surface to prevent thermal bridges and dirt accumulation.

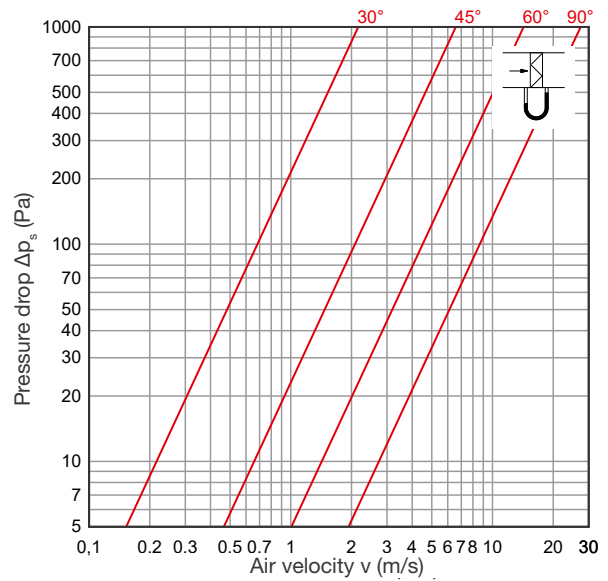
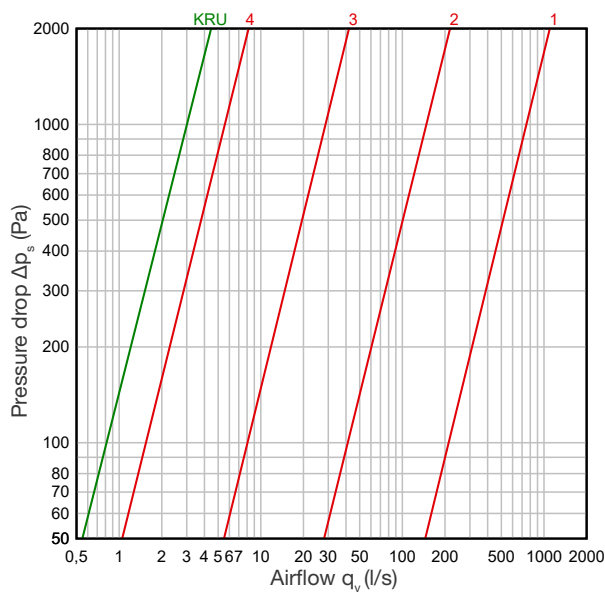
The dampers are equipped with a motor base. When the surface area is bigger than 4 m², the damper is compiled of two or more units, of which each is equipped with their own actuator.

Measurements

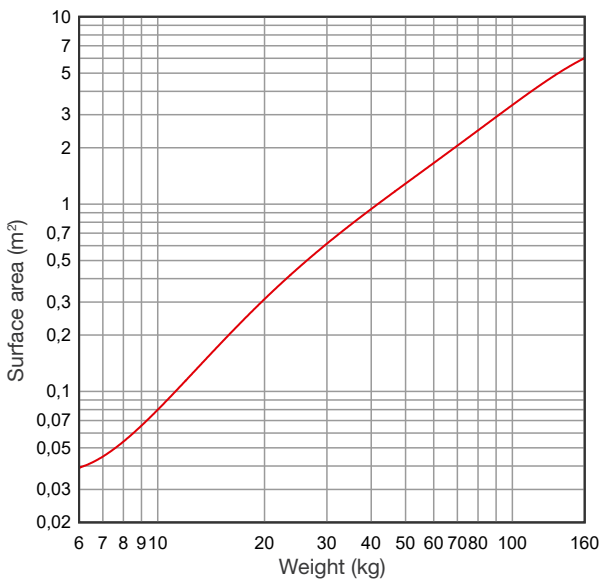
Width B	200,, 2600 mm
Height H	200, +50,, 2950 mm (the blade width is 200 mm)
B x H	If the surface area is >4 m ² , use two or more dampers

Technical data

KRU type of damper external casing leakage class is C and the air tightness class of the damper is 4 (according to EN 1751:2014).



Damper weight



Torque

The torque needed for closing the damper.

Damper height, H	Width B				
	500	1000	1500	2000	2600
2000	20	30	30	30	30
1500	20	20	30	30	30
1000	15	20	20	30	30
500	15	15	20	20	20

Actuator capacity 15 Nm 20 Nm 30 Nm

Marking

KRU	25	B x H	D1=400	L-50
Symbol	Thermal conductivity 23 25	Width x height	Round connection	Wall mount

Product:

- KRU = Edge-sealed damper for shut-off and regulation, air tightness class 4
- KRU 25 = Edge-sealed damper for shut-off and regulation with thermally insulated blades, $U_d=2,5 \text{ W}/(\text{m}^2\text{K})$
- KRU 23 = Edge-sealed damper for shut-off and regulation with thermally insulated blades and casing, thermal conductivity $U_d=2,3 \text{ W}/(\text{m}^2\text{K})$

Dimensions: = Duct dimensions A x B (mm)

Accessories:

Round connection

D1 = Round connection on one side (add the location of the actuator viewed from room)

D2 = Round connections on sides

Wall mount

R = Wall profile, actuator on the right

L = Wall profile, actuator on the left

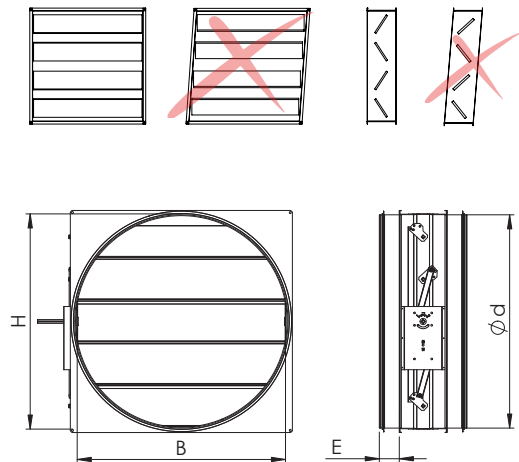
Example: KRU 25 400x400 D1=400 L

Installation

KRU-type dampers are installed to ventilation units or ducts using euro(E20) or z-joining profiles. Blades can be installed horizontally or vertically.

When installing damper the cross-sectional requirement must be monitored. The deviance of the dampers body is $\pm 1^\circ$. Bigger angel deviation can cause stuck of the blades. For round connection suitable joint must be ordered and used. The connection is mounted to the duct with rivets. If the round connection is only on one side, add the location of the actuator to the product marking seen from the room side.

When using a damper with an actuator, note that there is sufficient space between the damper and any other parts, for example duct or wall, for replacing the actuator.



Wall mounting

The damper is installed to the wall with the factory-installed L profiles (L profile width 50 mm, a different profile width to cover the hole is marked after the wall mount marking). For wall mounting select the fixing accessories according to the wall material and damper weight.

Note! The location of the actuator must always shown from the room side!

