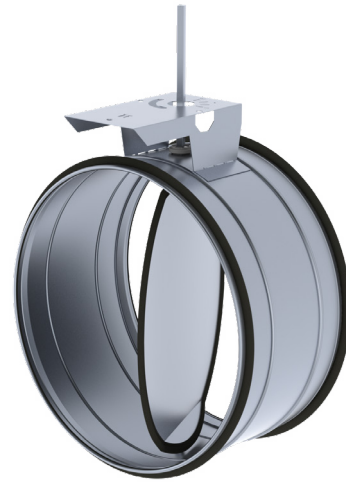


KRTS-4 Shut-off and regulating damper

Dampers for shut-off and regulating of air flow in round duct systems.

KRTS-4 sealed version. Casing tightness class C and shut-off tightness class 4 (standard EVS-EN 1751:2014).

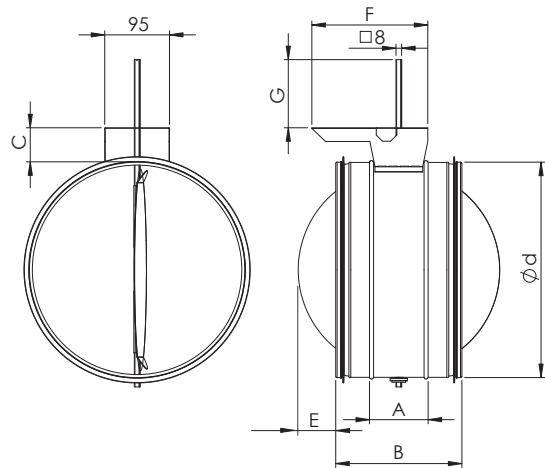


Structure and dimensions

Manufactured of galvanized steel. Equipped with rubber gaskets. Can also be manufactured of other materials.

For automatic regulation of air flow, various motors can be used. For manual regulation, a handle can be installed.

See: Accessories.



Nominal size, mm								Recommended actuator	
	A	B	C	E	F	G	Weight, kg	Without spring	Spring return
100	95	155	30	-	170	100	0,6	CM24-R/CM230-R	TF24/TF230
125	95	155	38	-	170	100	0,7	CM24-R/CM230-R	TF24/TF230
160	95	155	45	-	170	100	0,9	CM24-R/CM230-R	TF24/TF230
200	95	155	30	15	170	116	1,1	CM24-R/CM230-R	TF24/TF230
250	117	215	36	10	170	113	1,6	LM24A/LM230A	LF24/LF230
315	117	215	40	43	170	110	2,1	LM24A/LM230A	LF24/LF230
400	117	215	43	85	170	109	3,2	LM24A/LM230A	LF24/LF230
500	125	255	46	115	255	108	4,7	NM24A/NM230A	NF24A/NFA230
630	125	255	48	180	225	107	6,3	NM24A/NM230A	NF24A/NFA230

NB! Damper weights do not include the weight of actuators

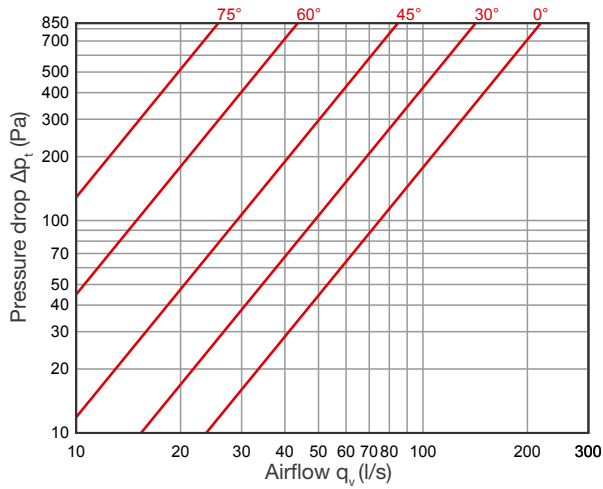
Belimo actuators: consider surface area of the blade, structure, installation and air flow. N.B. Belimo actuators manuals: www.belimo.com.

	Without spring			Spring return		
	CM-R	LM...A	NM...A	TF	LF	NF...A
Torque	2 Nm	5 Nm	10 Nm	2,5 Nm	4 Nm	10 Nm
Weight	0,22 kg	0,65 kg	0,75 kg	0,69 kg	1,5 kg	2,1 kg

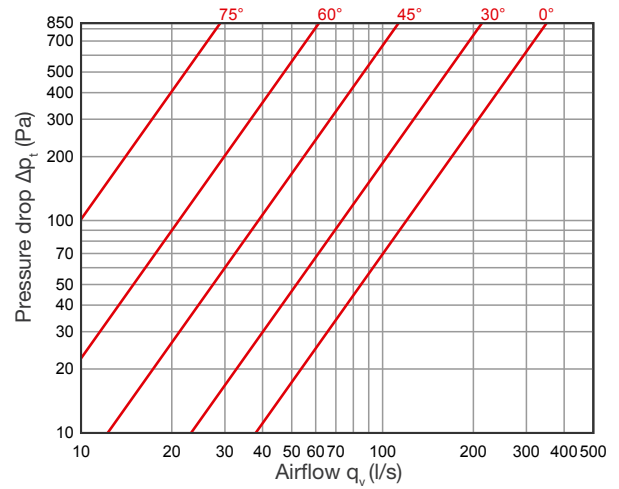
Technical data

KRTS-4, shut-off tightness class 4

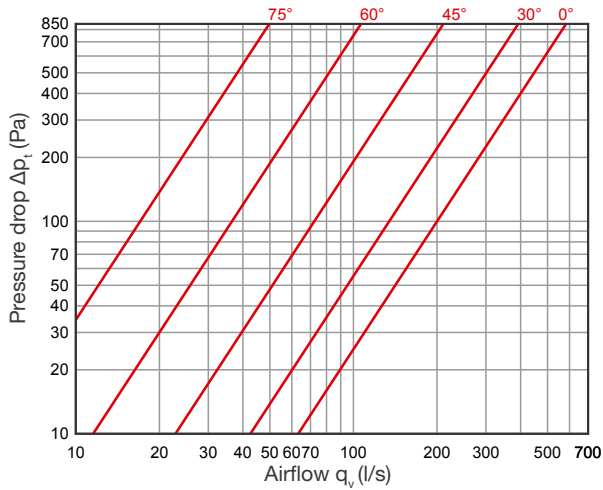
KRTS-4 100



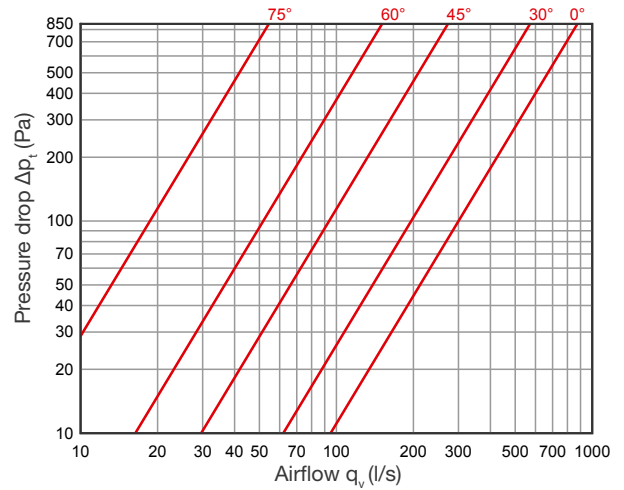
KRTS-4 125



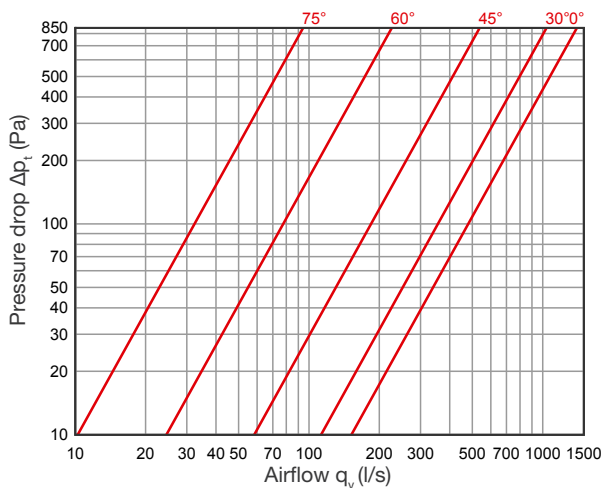
KRTS-4 160



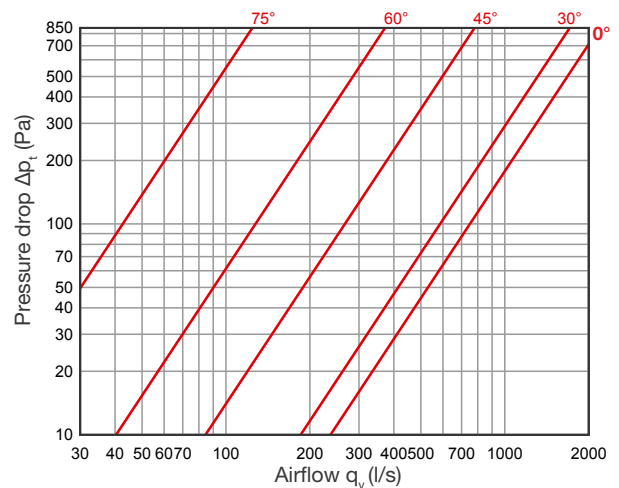
KRTS-4 200



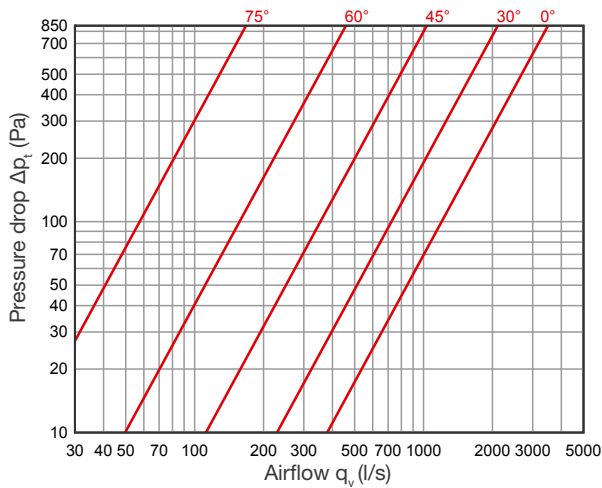
KRTS-4 250



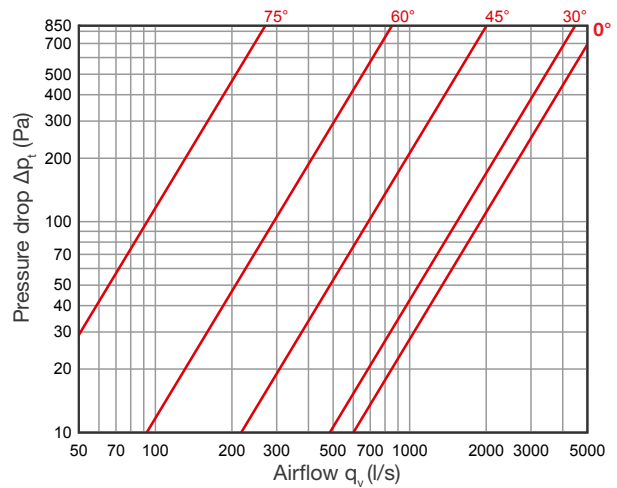
KRTS-4 315



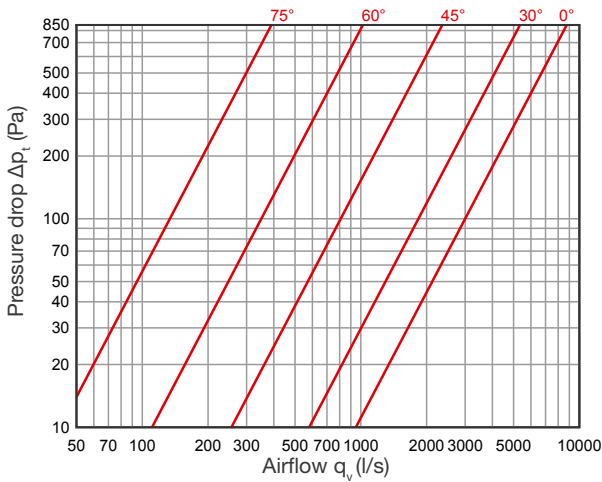
KRTS-4 400



KRTS-4 500



KRTS-4 630



Marking

KRTS-4	Ød
Symbol	Diameter

Example: KRTS-4 315

Material codes

- H – acid-proof steel (standards EVS-EN 10088-2:2014, EN 1.4436 or AISI 316)
- ZM – Zinc-magnesium coated steel (standard EVS-EN 10346:2015, DX51D+ZM310)

Accessories

Handle: for models KRTS-4.

Installation

Installation according to NORDduct installation instructions. For electric installations, see: www.belimo.com.