



**NORD**door  
Access doors

**Contents**

NORDdoor

<p>General</p> <p>3</p>		<p>TLPE</p> <p>Access door</p> <p>12</p>	
<p>NALH</p> <p>Access door</p> <p>4</p>		<p>TLN3</p> <p>Access door</p> <p>13</p>	
<p>NALMH</p> <p>Access door</p> <p>5</p>		<p>TL1</p> <p>Access door</p> <p>14</p>	
<p>NALHE</p> <p>Access door</p> <p>6</p>		<p>TLF</p> <p>Access door</p> <p>15</p>	
<p>NALMHE</p> <p>Access door</p> <p>7</p>		<p>TLT</p> <p>Access door</p> <p>16</p>	
<p>TL3</p> <p>Access door</p> <p>8</p>		<p>TLTE</p> <p>Access door</p> <p>17</p>	
<p>TLC</p> <p>Access door</p> <p>9</p>		<p>TLTK</p> <p>Access door</p> <p>18</p>	
<p>TPL</p> <p>Access door</p> <p>10</p>		<p>TLTU</p> <p>Access door</p> <p>19</p>	
<p>TPLE</p> <p>Access door</p> <p>11</p>			

**General**

A healthy room climate is not a coincidence but the outcome of thoroughly considered choices and technical solutions.

All ducts and other parts of the air handling system must be clean to ensure the cleanliness of supply air. Contaminants accumulated in the system can affect indoor air quality and decrease air volumes. The precondition for a good indoor climate is the correct use of the building and its technical solutions.

Ventilation ducts are equipped with access doors, placed in well accessible areas for easy inspection and cleaning.

Special attention must be paid to cleaning requirements of air supply units. Locations of access door are chosen to facilitate safe cleaning and maintenance of the system.

**Access door dimensions**

EVS-EN 12097:2006 standard for minimum dimensions of access door:

Duct diameter (mm)	Minimum opening (mm)		Duct side dimensions for opening (mm)	Minimum opening (mm)	
	a	b		a	b
100 ≤ d < 200	180	80	s ≤ 200	300	100
200 ≤ d ≤ 315	200	100	200 < s ≤ 500	400	200
315 < d ≤ 500	300	200	s > 500	500	400
d > 500	400	300			

**Location in the duct system**

The required distance between access doors depends on the construction and the cleaning method of the system. Locations and distances between access doors should ensure the possibility for cleaning the ducts in their entirety.

Access doors should be installed within fire barriers, into ducts close to bends of at least 45°, into horizontal ducts every 8 m (max. distance 10 m), and in branching points of ducts.

**Material**

Access doors are manufactured of galvanized steel according to standard EVS-EN 10346:2015, with zinc thickness at least 275 g/m<sup>2</sup> on both sides. Other materials are available on special orders.

H – acid-proof steel (standards EVS-EN 10088-2:2014, EN 1.4436 or AISI 316)

ZM – zinc-magnesium coated steel sheet (standard EVS-EN 10346:2015, ZM 310)

**Insulation**

S - thermal insulation, insulation thickness 50 mm, 100 mm...

EI - fire insulation. Used fire insulation meets the testing methods requirements according to EN1366-1.

Fire insulation strengths in accordance with EN-13501-1.

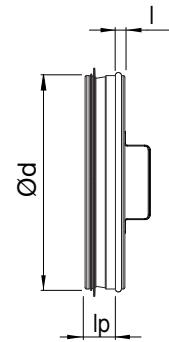
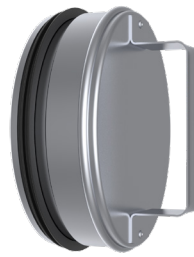
Fire class	Rectangular ducts nominal density	Round ducts nominal density
EI30	50 mm	80 mm
EI60	100 mm	80 mm
EI90	100 mm	100 mm
EI120	100 mm	100 mm

**NALH End cap access door for duct**

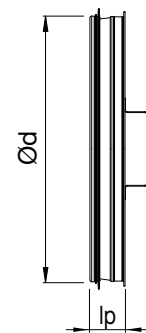
Access door for duct ends.

Nominal size	l <sub>p</sub> , mm	l, mm	Weight, kg
100	35	15	0,1
125	35	15	0,2
160	35	15	0,3
200	35	15	0,4
250	35	15	0,5
315	35	15	0,8
400	55	-	1,3
500	55	-	1,8
630	55	-	2,8
800	82	-	5,4
1000	96	-	9,2
1250	96	-	13,0

100-315



400-1250



**Product marking**



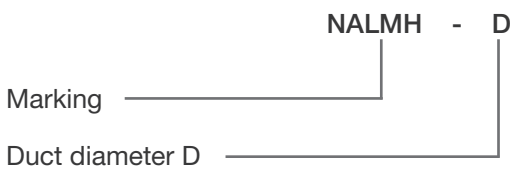
Example: **NALH 315**

**NALMH End cap access door for part**

NALMH is a access door for part.

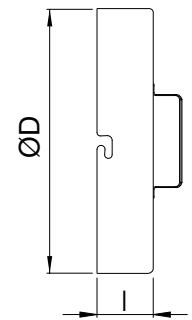
Nominal size	l <sub>p</sub> , mm	Weight, kg
100	40	0,09
125	40	0,11
160	40	0,16
200	40	0,21
250	59	0,34
315	59	0,51
400	59	0,76
500	74	1,9
630	74	2,8
800	114	4,5
1000	114	8,5
1250	114	12,5

**Product marking**

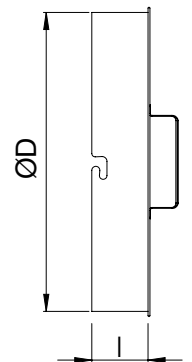


Example: **NALMH 315**

100-315



400-1250



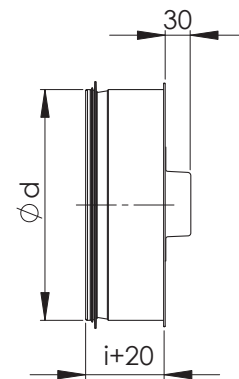
**NALHE End cap, insulated**

Insulated end cap access door for duct.

Used fire insulation meets the testing methods requirements according to IMO FTP-Code part 1.

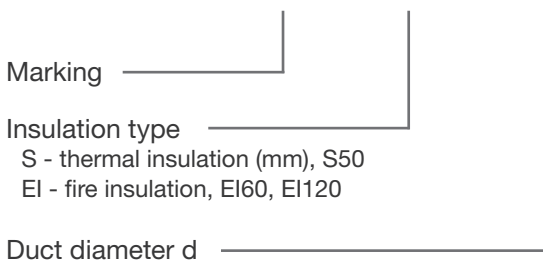
Fire insulation strengths in accordance with EN-13501-1.

Nominal size	EI 60		EI 120	
	i, mm	Weight, kg	i, mm	Weight, kg
100	60	0,4	100	0,5
125	60	0,7	100	0,8
160	60	1,0	100	1,1
200	60	1,2	100	1,4
250	60	1,8	100	2
315	60	2,4	100	2,7
400	60	4,0	100	4,5
500	80	5,9	100	6,3
630	80	8,6	100	9,2
800	80	13,2	100	14
1000	80	22,6	100	24
1250	80	32,9	100	35



**Product marking**

NALHE - EI60 - d



Example: NALHE-EI60 315

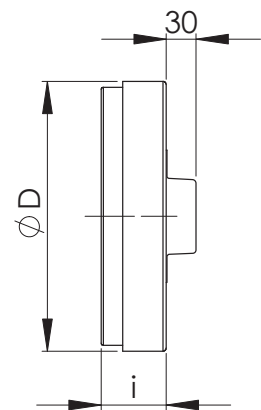
**NALMHE End cap, insulated**

Insulated end cap access door for part.

Used fire insulation meets the testing methods requirements according to IMO FTP-Code part 1.

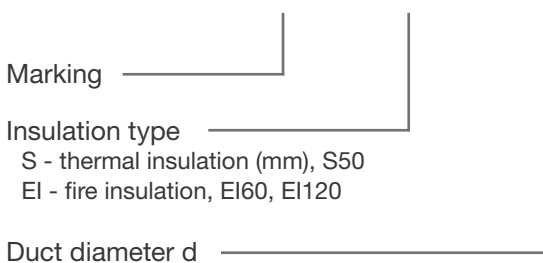
Fire insulation strengths in accordance with EN-13501-1.

Nominal size	EI 60		EI 120	
	i, mm	Weight, kg	i, mm	Weight, kg
100	60	0,4	100	0,4
125	60	0,7	100	0,7
160	60	0,8	100	1,0
200	60	1,1	100	1,3
250	60	2,1	100	2,3
315	60	2,6	100	3,0
400	60	5,6	100	6,2
500	80	7,8	100	8,2
630	80	9,8	100	10,4
800	80	15	100	15,8
1000	80	26	100	27,4
1250	80	38	100	40,1



**Product marking**

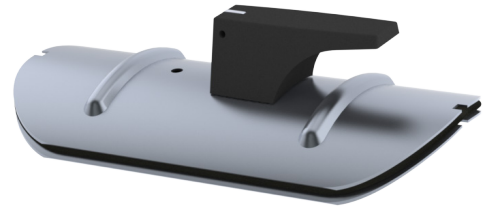
**NALMHE - EI60 - d**



**Example: NALMHE-S100 315**

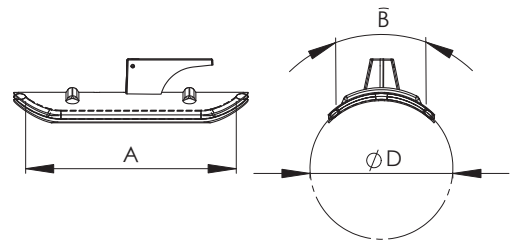
**TL3 Access door for round duct**

Access door with quick release for round duct.  
 Access doors meet requirements for tightness class C  
 (EVS-EN 12237:2003).



**Measurements**

Nominal size D, mm	Opening size A x B	Material, mm	
100-160	185x85	0,7	One handle
200-315	300x100	0,7	Two handles
400-500	400x200	1,0	Two handles
630-1250	500x400	1,2	Two handles



**Product marking**



Example: TL3 315

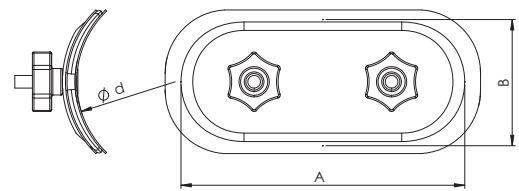


**TLC Access door for round duct**

Access door with quick release for round duct.  
 Access doors meet requirements for tightness class C (EVS-EN 12237:2003).

**Measurements**

Nominal size D mm	Opening size A x B	Material, mm
100-125	180x80	0,7
160	250x150	0,7
200	250x150	0,7
250	250x150	0,7
315	250x150	0,7
400	300x200	0,7
500	300x200	0,7
630	400x300	0,7
800	400x300	0,7
1000	500x400	1,2
1250	500x400	1,2



**Product marking**

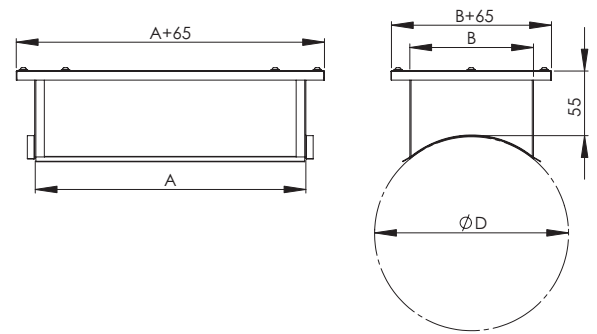
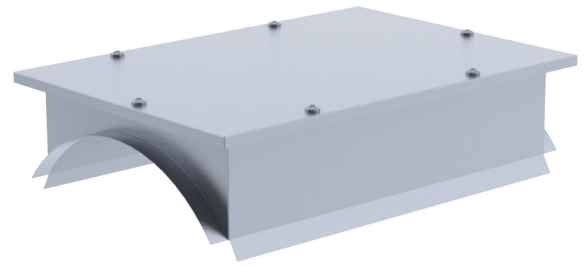


Example: **TLC 315**

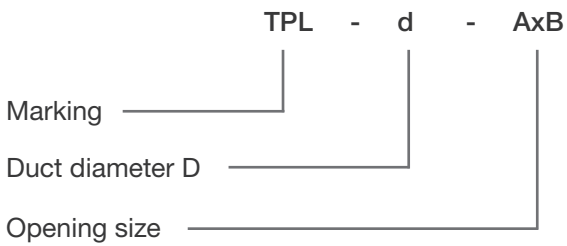
**TPL Access door for round duct**

Access door for round duct (Ø 100 - 1250 mm). Access doors meet requirements for tightness class C (EVS-EN 12237:2003).

Nominal size Ø D, mm	A	B
100	200	100
125	200	100
160	200	100
200	200	100
250	200	100
315	200	100
400	300	200
500	300	200
630	400	300
800	400	300
1000	400	300
1250	400	300



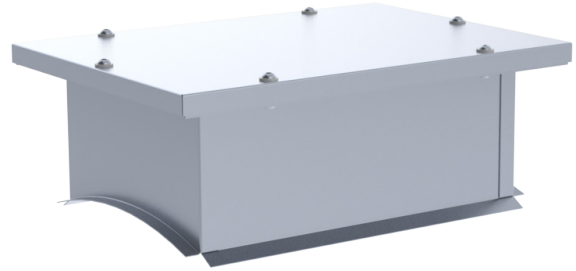
**Product marking**



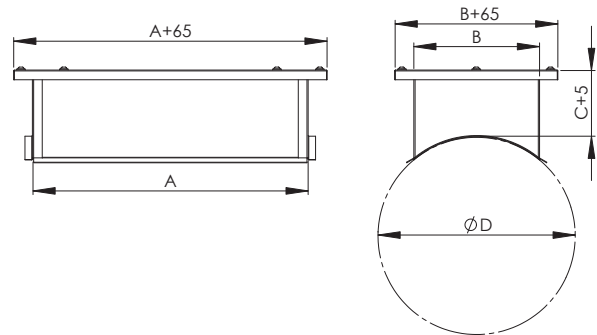
Example: TPL 315

**TPLE Insulated access door**

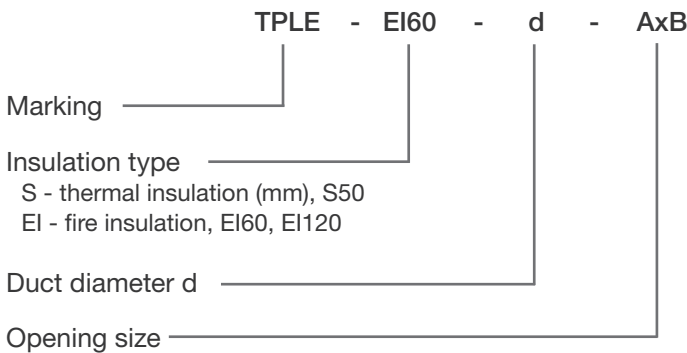
Insulated access door for round duct of Ø 100-1250 mm.  
 Access doors meet requirements for tightness class C (EVS-EN 12237:2003).  
 Used fire insulation meets the testing methods requirements according to EN1366-1. Fire insulation strengths in accordance with EN-13501-1.



Nominal size Ø D, mm	A	B
100	200	100
125	200	100
160	200	100
200	200	100
250	200	100
315	200	100
400	300	200
500	300	200
630	400	300
800	400	300
1000	400	300
1250	400	300



**Product marking**



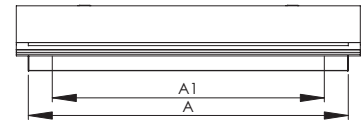
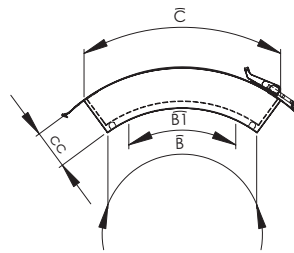
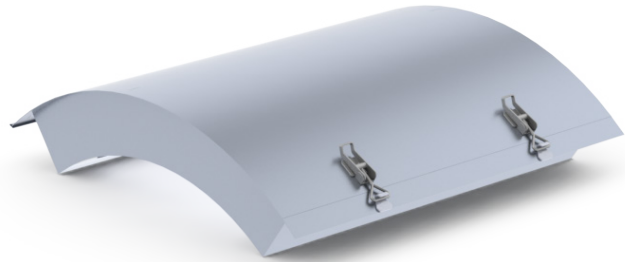
Example: TPLE-S100-315

**TLPE Insulated access door**

TLPE - Insulated access door for round ventilation duct.

Access doors meet requirements for tightness class C (EVS-EN 12237:2003).

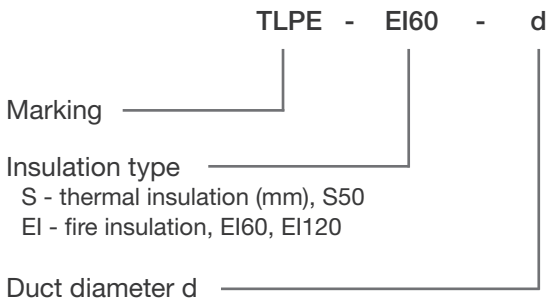
Used fire insulation meets the testing methods requirements according to EN1366-1. Fire insulation strengths in accordance with EN-13501-1.



**Measurements**

Nominal size	A	B	C			Opening size A1xB1
			cc=50 mm	cc=80 mm	cc=100 mm	
100	240	120	235	304	350	180x80
125	240	120	220	280	320	180x80
160	240	120	195	240	270	180x80
200	400	200	300	360	400	340x140
250	400	200	275	320	350	340x140
315	400	200	265	304	330	340x140
400	400	260	325	364	390	340x200
500	400	260	315	348	370	340x200
630	500	400	465	504	530	440x340
800	500	400	455	488	510	440x340
1000	500	400	445	472	490	440x340
1250	500	400	435	456	470	440x340

**Product marking**



Example: TLPE-EI60-315

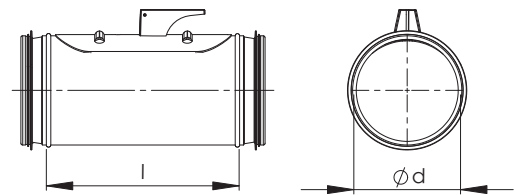
**TLN3 Coupling with access door**

Coupling with access door for round duct.  
 TLN3 meets tightness class C requirements EVS-EN 12237:2003.



**Measurements**

Nominal size d, mm	Pikkus l mm	Material, mm
100	240	0,6
125	240	0,7
160	240	0,9
200	355	1,6
250	355	2,0
315	355	2,4
400	455	5,2
500	455	6,2
630	565	11,5
800	570	14,0
1000	582	22,0



**Product marking**



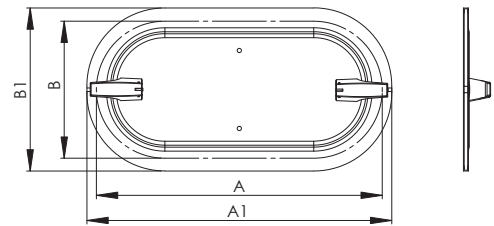
**Example: TLN3 315**

N.B. See installation instructions in NORDduct installation manual.

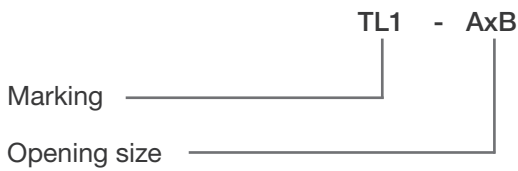
**TL1 Access door for flat surface**

Access door for rectangular duct with quick release.  
 TL1 Access doors meet tightness class C requirements (EVS-EN 12237:2003).

Nominal size	AxB	Material, mm
TL1 300x200	300x200	1,0
TL1 400x200	400x200	1,0
TL1 500x400	500x400	1,0



**Product marking**

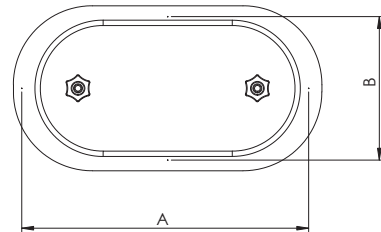
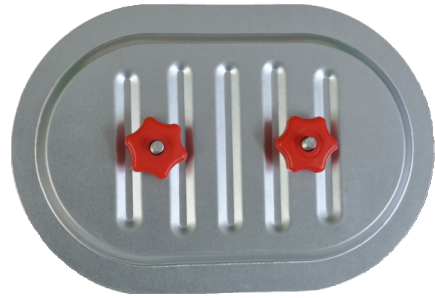


Example: TL1 300x200

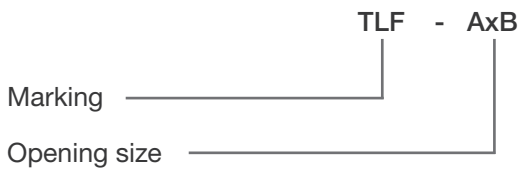
**TLF Access door for flat surface**

Access door for rectangular duct with quick release.  
 TLF Access doors meet tightness class C requirements (EVS-EN 12237:2003).

Nominal size	Opening size	
	AxB	Material, mm
TLF 200x100	200x100	0,7
TLF 300x200	300x200	0,7
TLF 400x300	400x300	0,7
TLF 500x400	500x400	1,2



**Product marking**

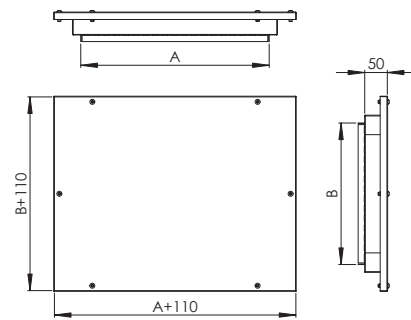
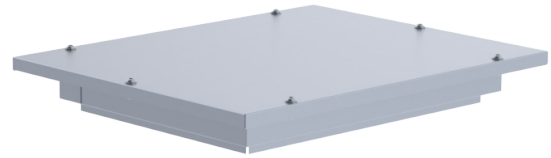


Example: TLF 300x200

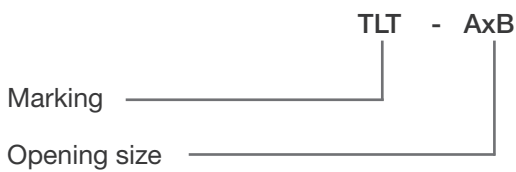
**TLT Access door for flat surface**

Access door for rectangular duct and flat surfaces.  
 Access doors meet tightness class B requirements  
 (EVS-EN 12237:2003).

Opening size, mm	
a	b
300	100
400	200
400	300
500	400
600	500



**Product marking**



Example: TLT 400x200



**TLTE Insulated access door for flat surface**

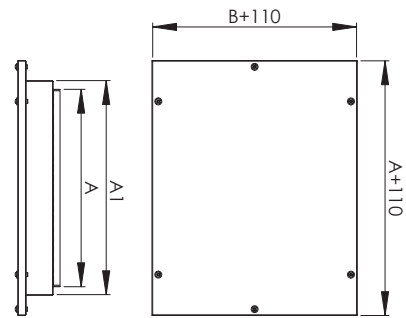
Insulated access door for rectangular duct and flat surfaces.

Access doors meet tightness class B requirements (EVS-EN 12237:2003).

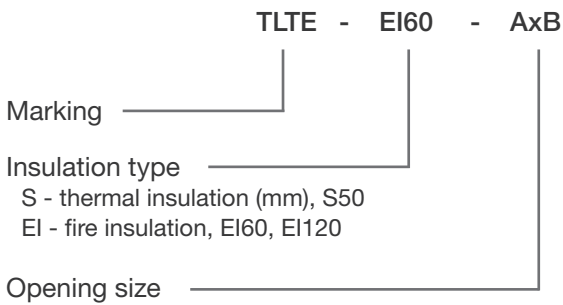
Used fire insulation meets the testing methods requirements according to EN1366-1. Fire insulation strengths in accordance with EN-13501-1.



Cutting dimensions, mm			
A	B	A1	B1
300	100	332	132
400	200	432	232
400	300	432	332
500	400	532	432
600	500	632	532



**Product marking**



**Example: TLTE-S100 400x200**

**TLTK Access door**

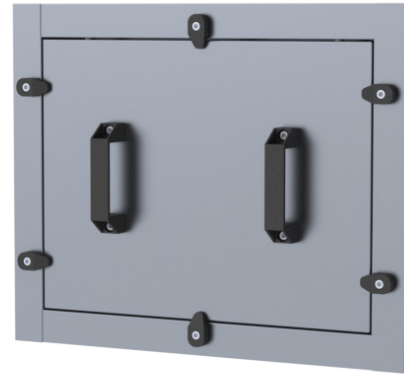
Access door for duct and chamber.

**Features:**

- Suitable for insulated duct and chamber
- Meets tightness class C requirements
- Adjustable quick releases
- Also sound, heat and fire insulated
- Easy and fast installation
- Back-folded edges

**Application**

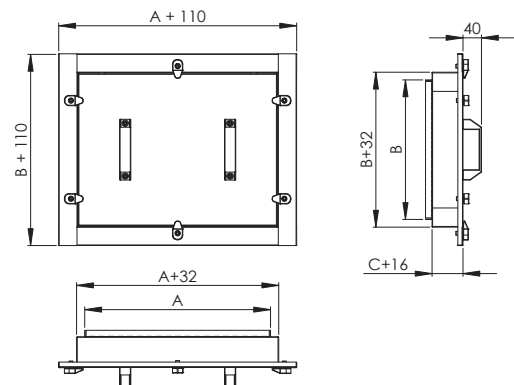
For installation in duct system for inspecting and cleaning ducts. Access door should be installed in a location with easy access to smoke and fire dampers.



**Material and dimensions**

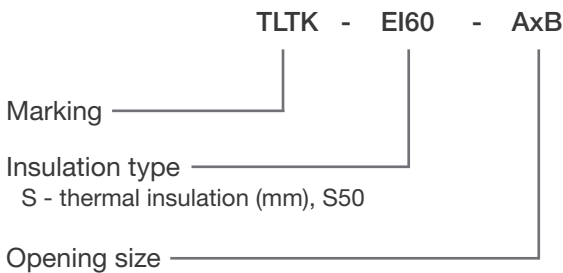
TLTK Manufactured of galvanized steel sheet. Also available in other materials. Frame equipped with inner and outer gasket. Used fire insulation meets the testing methods requirements according to EN1366-1. Fire insulation strengths in accordance with EN-13501-1.

Nominal size A x B	A1,mm	B1, mm	Fixing points
TLTK 300 x 200	330	230	2
TLTK 400 x 200	430	230	4
TLTK 400 x 300	430	330	6
TLTK 400 x 400	430	430	6
TLTK 500 x 400	530	430	6
TLTK 500 x 500	530	530	6
TLTK 600 x 500	630	530	6
TLTK 600 x 600	630	630	6



**Product marking**

TLTK access door is manufactured according to nominal measurements of the door.



**Example: TLTK-S100 1000 x 1000**

**Installation instructions**

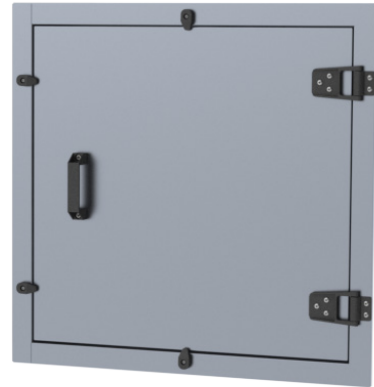
1. Cut the hole into the insulated channel outer shell 30 mm larger hole than the door Nominal size and into the inner-shell hole with door nominal sizes.
2. Make sure that the hole is quadrilateral and the duct is rigid enough.
3. Place the door frame in the hole and tap the edges of the door to fix into the duct. Make sure that the edges are tightly bent back and that the seal is in good condition.
4. Place the door into the frame and close the quick fixes (NB: Do not tighten the fasteners too hard).

**TLTU Access door**

Access door duct and chamber.

**Features:**

- Suitable for insulated duct and chamber
- Meets tightness class C requirements
- Adjustable quick releases
- Also sound, heat and fire insulated
- Easy and fast installation
- Back-folded edges



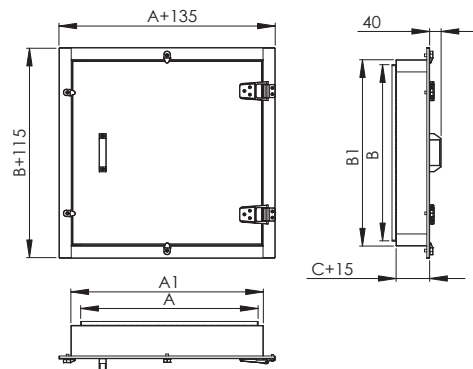
**Application**

Designed for facilitating inspection and cleaning of duct systems.

**Material and dimensions**

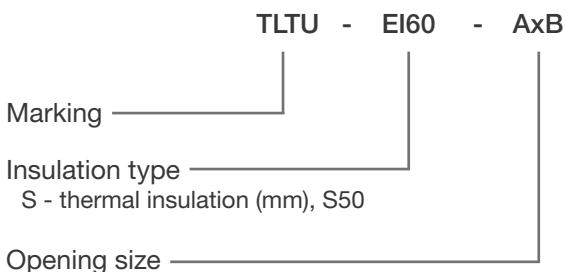
TLTU is manufactured of galvanized steel sheet. Also available in other materials. Frame equipped with inner and outer gasket. Used fire insulation meets the testing methods requirements according to EN1366-1. Fire insulation strengths in accordance with EN-13501-1.

Nominal size A x B	A1,mm	B1, mm	Hinges
TLTU 300 x 200	353	233	2
TLTU 400 x 200	453	233	2
TLTU 400 x 300	453	333	2
TLTU 400 x 400	453	433	2
TLTU 500 x 400	553	433	2
TLTU 500 x 500	553	533	2
TLTU 600 x 500	653	533	2
TLTU 600 x 600	653	633	2



**Product marking**

TLTU access door is manufactured according to nominal measurements of the door.



**Example: TLTU-S100 1000 x 1000**



### **ETS NORD AS**

Address: Peterburi tee 53  
11415 Tallinn  
Estonia  
Phone: +372 680 7360  
info@etsnord.ee  
www.etsnord.ee

### **ETS NORD Finland**

Address: Pakkasraitti 4  
04360 Tuusula  
Finland  
Phone: +358 0401 842 842  
info@etsnord.fi  
www.etsnord.fi

### **ETS NORD Sweden**

Address: Järsjögatan 7  
69235 Kumla  
Sweden  
Phone: +46 707 80 50 16  
info@etsnord.se  
www.etsnord.se

### **ETS NORD Denmark**

Address: Nordholmen 6  
2650 Hvidovre  
Denmark  
Phone: +45 9712 1314  
info@etsnord.dk  
www.etsnord.dk

