









NORDcanopy

OZ 3.1 Ozone Generator Module productsheet

OZ 3.1 Ozone Unit

OZ is an integrated ozone cleaning system intended to be used together with ETS NORD professional kitchen canopies or ventilation ceilings. The devices are designed for the exhaust air systems of professional kitchens with high requirements to minimize grease and odour. Using the Control Panel with versatile features (to be ordered separately), the use and monitoring of the integrated ozone cleaning system is effortless.

Benefits obtained with ozone cleaning:

-  Effective grease reduction
-  Significantly improved fire safety
-  Enables the use of heat recovery
-  Effectively reduces odors
-  Effective at killing bacteria
-  Low maintenance costs



NOTE! The Ozone Module needs supply air to function!
 The Ozone Module must not be installed if the hood serving it doesn't have a supply air duct installed. In HG Grill hoods and HC Ventilation ceilings the Ozone Module must not be installed if it doesn't have its own supply air duct installed.

Function

Ozone (O₃) is a very effective oxidant, and when mixed into the kitchen's exhaust air brakes down grease and odour particles to water vapor, carbon dioxide and dry minerals.

Note! For best results with odour and grease reduction, the reaction time for ozone within a kitchen exhaust system should be at least two seconds. However, longer exposure can further improve results. This time should be considered during the design phase of the kitchen exhaust system.



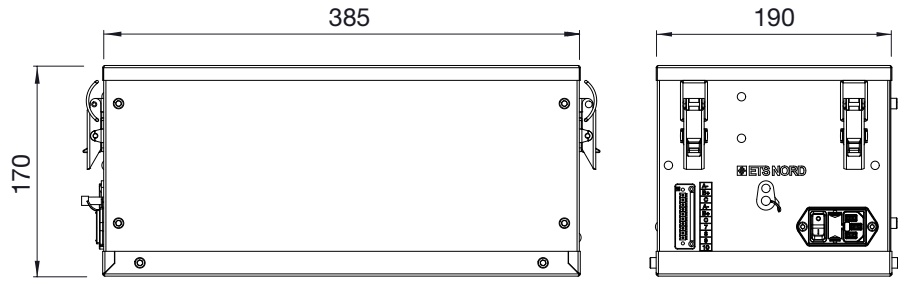
Without ozone cleaning system



With ozone cleaning system

Technical data and dimensions

The Ozone Module is equipped with pressure switch and 3,15 A fuse. The pressure switch causes the module to start only when the required negative pressure is ensured.



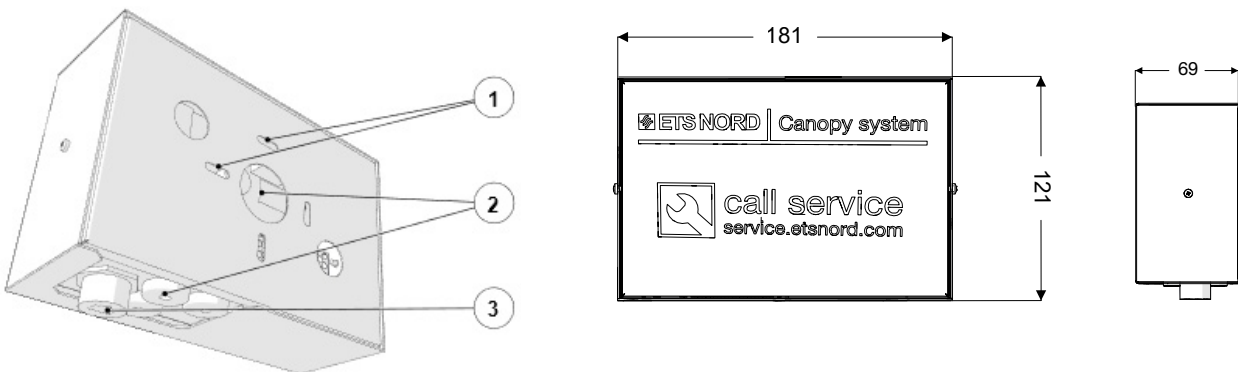
Model	Ozone capacity* (mg/h)	Power consumption (W)	Pressure drop at 20 l/s (Pa)	Voltage (V)	Weight (kg)
OZ 3.1	5000	300	38	230	5,4

* Maximum Ozone output capacity is obtained under the following conditions: measured at 10m in the duct, supply air temperature 20°C and relative humidity 20%.

Material: AISI 316L stainless steel
 Working temperature: -25 to +40°C
 Measurements: 385x170x190 mm

Control Panel

All Ozone Modules are managed by an intelligent central Control Panel. Only one Control Panel is needed per kitchen, regardless of the number of ozone generators installed. The Control Panel monitors the operation of each Ozone Module on the premises with an advanced control and reporting technology and will trigger an alarm in case of equipment failure or the need for maintenance. The Control Panel can be connected to either BACnet or Modbus-driven systems, enabling remote management via either the local network or Internet.



- 1 – Anchor points for wall mounts
- 2 – Data cable bushings
- 3 – RJ-45 connector

There are three cables that must be connected to the Control Panel:

- A Data cable (3x0,25 mm²) for communication between the Control Panel and EOZ unit;
- An I/O cable (5x0,5 mm²) for connection to the building automation;
- A LAN cable for accessing the Control Panel operations interface via the local area network or Internet.

Advantages:

- Compatibility with building automation
- Remote monitoring (IoT - Internet of Things)
- Data visualization and history
- Safe and simple to use

EtherNet/IP™ModbusBACnet®

This symbol indicates that when the end-user wishes to discard the device, it must be taken to a proper waste station for recycling.

**For more detailed information about the system and installation check the
“Ozone Cleaning System – Installation Guide”**



ETS NORD AS

Address: Peterburi tee 53
11415 Tallinn
Estonia

Phone: +372 680 7360
info@etsnord.ee
www.etsnord.ee

ETS NORD Finland

Address: Pakkasraitti 4
04360 Tuusula
Finland

Phone: +358 401 842 842
info@etsnord.fi
www.etsnord.fi

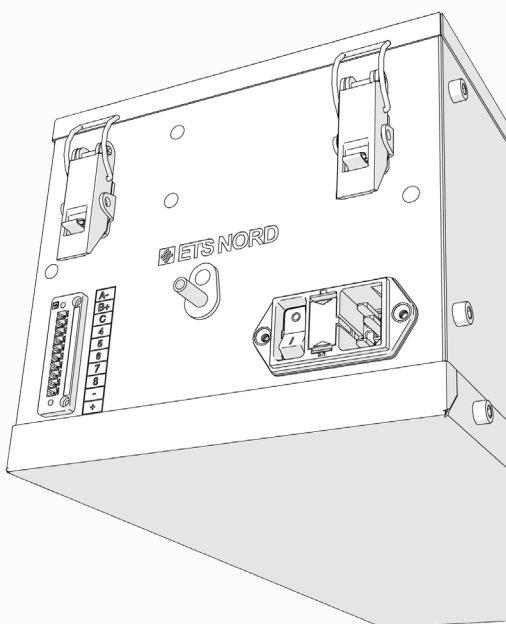
ETS NORD Sweden

Address: Järsjögatan 7
69235 Kumla
Sweden

Phone: +46 19 554 20 50

Address: Pinjegatan 5
21363 Malmö
Sweden

Phone: +46 40 94 68 70
info@etsnord.se
www.etsnord.se



Let's move the air together!