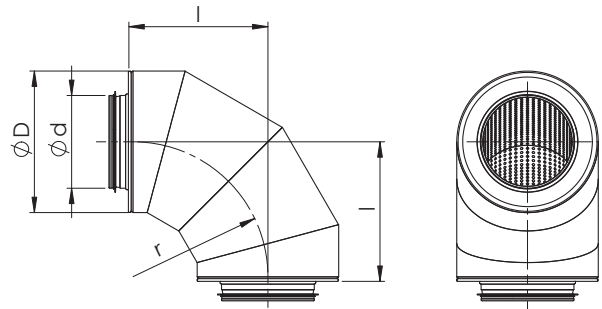


**NRFV/NRPV Bend silencer**

**Design**

Round ventilation system silencer with round connections and rubber gaskets (according to standard EVS-EN 1506). NRFV-silencer's sound absorption material is mineral wool and NRPV-silencer's a synthetic sound insulation. The perforated inner tube and outer shell are manufactured of galvanized steel. Between the inner tube and the mineral wool insulation, there is fabric to prevent wool particles from entering the duct system.



**Dimensions and Weights**

**Sound attenuation**

NRFV, insulation thickness 50 mm (absorption material mineral wool)

| Nominal size |        | Sound attenuation (dB) |                                    |     |     |     |      |      |      |      |      | Weight, kg |
|--------------|--------|------------------------|------------------------------------|-----|-----|-----|------|------|------|------|------|------------|
| Ød mm        | ØD, mm | l, mm                  | Mean frequency of octave band (Hz) |     |     |     |      |      |      |      |      |            |
|              |        |                        | 63                                 | 125 | 250 | 500 | 1000 | 2000 | 4000 | 8000 |      |            |
| 125          | 225    | 225                    | 2                                  | 3   | 7   | 13  | 22   | 31   | 30   | 24   | 3,5  |            |
| 160          | 260    | 260                    | 1                                  | 3   | 8   | 14  | 20   | 24   | 30   | 24   | 4,2  |            |
| 200          | 300    | 300                    | 1                                  | 3   | 8   | 14  | 32   | 26   | 44   | 25   | 6,7  |            |
| 250          | 350    | 350                    | 1                                  | 2   | 6   | 15  | 27   | 28   | 26   | 23   | 9,8  |            |
| 315          | 415    | 415                    | 0                                  | 2   | 4   | 13  | 18   | 19   | 17   | 16   | 14,2 |            |

**Product codes**

**NRFV - 100 - d**

**Marking**

- NRFV – absorption material mineral wool
- NRPV – absorption material synthetic sound insulation

**Insulation thickness**

- 50 mm
- 100 mm

**Diameter d**

**Example: NRFV 50-315**