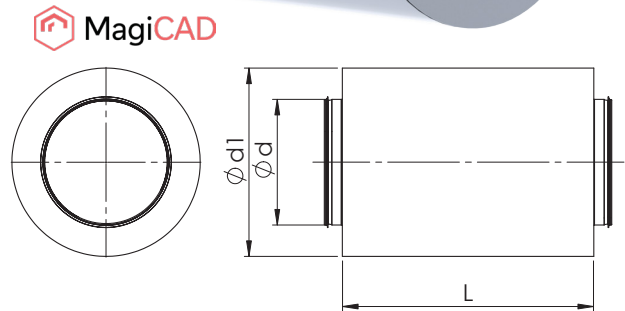
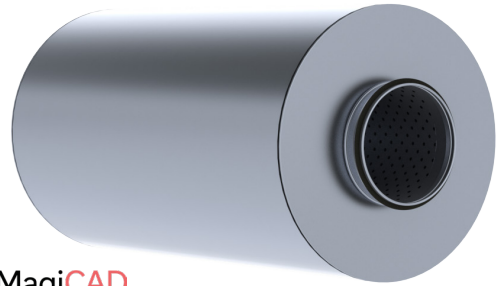


NRF 100/NRP 100 Silencer

Round silencer with 100 mm sound absorption. NRF-silencer's sound absorption material is mineral wool and NRP-silencer's a synthetic sound insulation. The perforated inner tube and outer shell are manufactured of galvanized steel. Between the inner tube and the insulation, there is fabric to prevent wool particles from entering the duct system.



Sound attenuation and dimensions

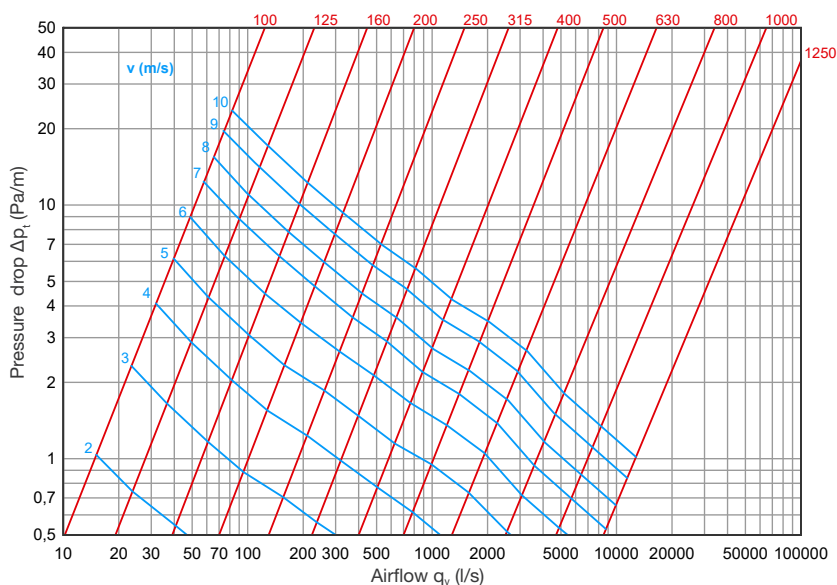
NRF 100 (absorption material is mineral wool)

Nominal size $\varnothing d$ mm	L, mm	$\varnothing d_1$, mm	Sound attenuation (dB)								Weight, kg
			Mean frequency of octave band (Hz)								
			63	125	250	500	1000	2000	4000	8000	
100	300	305	3	5	12	17	23	28	21	11	5,6
100	600	305	6	10	18	28	39	44	32	17	9,0
100	900	305	7	12	25	37	51	50	42	23	13,0
100	1200	305	8	13	30	40	55	52	46	29	16,1
125	300	325	4	5	9	14	18	24	18	11	6,1
125	600	325	4	9	17	25	34	38	25	17	9,3
125	900	325	6	10	23	34	46	47	36	20	13,0
125	1200	325	8	12	28	38	52	51	42	24	17,0
160	300	360	4	3	7	11	15	20	13	9	7,1
160	600	360	4	7	14	21	29	34	18	13	11,4
160	900	360	5	9	20	31	41	45	25	16	15,7
160	1200	360	7	10	28	34	48	49	29	19	20,0
200	300	400	4	3	6	9	13	16	10	8	9,3
200	600	400	5	5	10	15	22	26	18	13	14,0
200	900	400	5	8	19	24	35	33	19	15	19,0
200	1200	400	7	9	24	33	44	42	23	16	22,0
250	300	450	2	3	4	7	13	16	10	7	13,0
250	600	450	4	4	11	15	21	21	12	11	15,0
250	900	450	3	5	16	22	31	24	14	12	22,0
250	1200	450	5	7	21	28	40	34	17	15	28,0
315	300	510	2	3	3	6	12	14	8	6	14,0
315	600	510	1	4	8	11	17	14	9	9	18,0
315	900	510	2	5	12	16	25	19	12	11	25,0
315	1200	510	3	6	17	23	34	25	15	14	32,0
400	300	600	2	2	3	5	9	12	7	5	20,0
400	600	600	1	4	6	7	10	9	7	6	25,0
400	900	600	2	5	12	15	20	15	12	9	32,0
400	1200	600	4	6	15	20	27	21	13	13	42,0
500	600	710	1	2	5	7	11	10	7	5	38,0
500	900	710	2	5	9	12	14	11	9	9	41,0
500	1200	710	3	5	11	17	19	14	12	11	51,0
630	900	840	2	4	7	12	14	11	9	7	50,0
630	1200	840	3	5	11	16	14	13	9	7	64,0
800	900	1000	2	4	8	12	11	9	8	6	76,0
800	1200	1000	2	4	9	13	12	10	9	7	81,0
1000	900	1200	0	1	7	7	4	3	3	3	84,0
1000	1200	1200	1	3	9	9	6	4	4	4	106,0
1250	1200	1450	1	3	9	6	5	4	3	2	129,0

NRP 100 (absorption material synthetic sound insulation)

Nominal size Ød mm	L, mm	Ød ₁ , mm	Sound attenuation (dB)								Weight, kg
			Mean frequency of octave band (Hz)								
			63	125	250	500	1000	2000	4000	8000	
100	300	305	3	6	13	14	27	23	19	11	5,3
100	600	305	7	11	17	17	32	34	31	19	8,6
100	900	305	9	15	24	32	50	48	42	28	12,5
100	1200	305	11	15	27	31	55	51	46	33	14,8
125	300	325	4	6	8	12	21	20	17	12	5,7
125	600	325	5	11	16	14	32	28	23	18	8,7
125	900	325	8	12	22	21	43	40	35	22	12,0
125	1200	325	11	15	29	26	52	48	45	30	16,0
160	300	360	4	4	8	9	18	17	12	10	6,6
160	600	360	5	9	13	11	31	28	18	15	11,0
160	900	360	6	11	21	18	38	35	26	18	15,4
160	1200	360	8	12	29	21	49	39	31	22	19,0
200	300	400	6	4	7	8	21	18	11	12	9,0
200	600	400	5	6	10	7	24	22	19	14	13,2
200	900	400	6	9	18	10	31	26	19	16	18,0
200	1200	400	8	11	23	20	40	34	24	18	21,0
250	300	450	2	3	4	7	13	16	10	7	13,0
250	600	450	5	6	9	6	22	18	13	11	14,0
250	900	450	3	6	14	9	27	19	14	13	21,0
250	1200	450	6	8	19	14	33	27	18	17	27,0
315	300	510	2	3	3	6	12	14	8	6	14,0
315	600	510	1	5	6	5	16	13	9	9	18,0
315	900	510	2	6	9	9	23	18	12	13	24,0
315	1200	510	4	8	14	12	27	23	17	17	32,0
400	300	600	2	2	3	5	9	12	7	5	19,0
400	600	600	2	5	3	3	8	9	7	6	23,0
400	900	600	2	5	9	9	17	15	12	10	31,0
400	1200	600	4	8	12	10	21	20	14	14	39,0
500	600	710	1	2	3	5	10	9	6	5	37,0
500	900	710	2	6	6	9	12	9	8	10	40,0
500	1200	710	2	5	8	12	16	13	12	11	49,0
630	900	840	2	5	4	11	13	10	11	7	47,0
630	1200	840	3	5	8	14	13	12	12	7	60,0
800	900	1000	2	4	8	12	11	9	8	7	71,0
800	1200	1000	2	4	8	12	12	9	9	8	76,0
1000	900	1200	0	2	5	7	4	3	3	4	63,0
1000	1200	1200	1	3	8	10	6	5	5	7	79,0
1250	1200	1450	1	3	8	7	5	4	3	3	96,0

Technical data



Product codes

NRF 100 - d - L

Marking _____

NRF 100 – absorption material mineral wool
 NRP 100 – absorption material synthetic sound insulation

Diameter d _____

Lenght L _____

Example: NRF 100 315-900