

MPK/MPP Rectangular bend-silencer

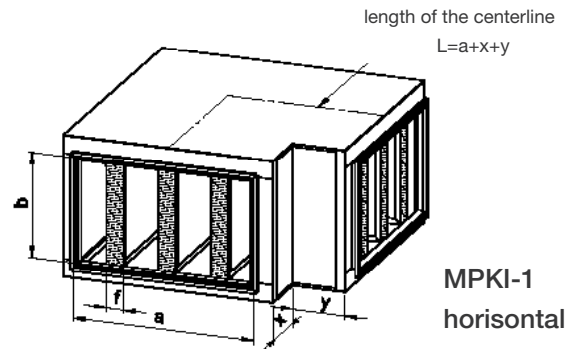
PK-rectangular bend silencer is designed for noise reduction in rectangular ventilation systems. There are two different types of MPK silencers – vertical and horizontal. The outer shell can be without insulation or insulated.



Design

MPK silencer consists of an outer shell and absorption elements manufactured of galvanized steel as standard with z-flange at both ends.

MPKI silencers with noise reducing insulation are covered with galvanized sheet metal plate and the internal casing are made of perforated sheet metal plate. Dimensions a and b are for the internal casing. Z-flange are attached to the internal casing at both ends.

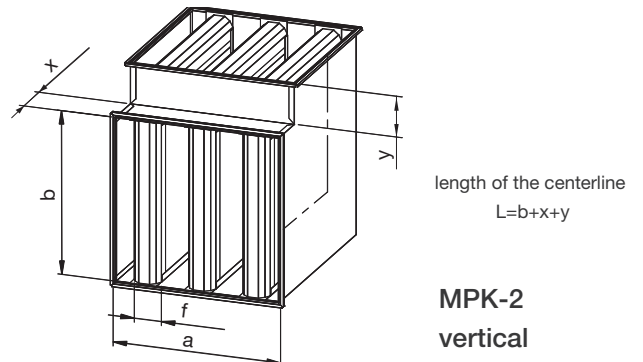


Sound attenuation

Choose from MSK table suitable silencer, which damping characteristics are sufficient and also calculate the length of the centerline of the silencer using the following formula:

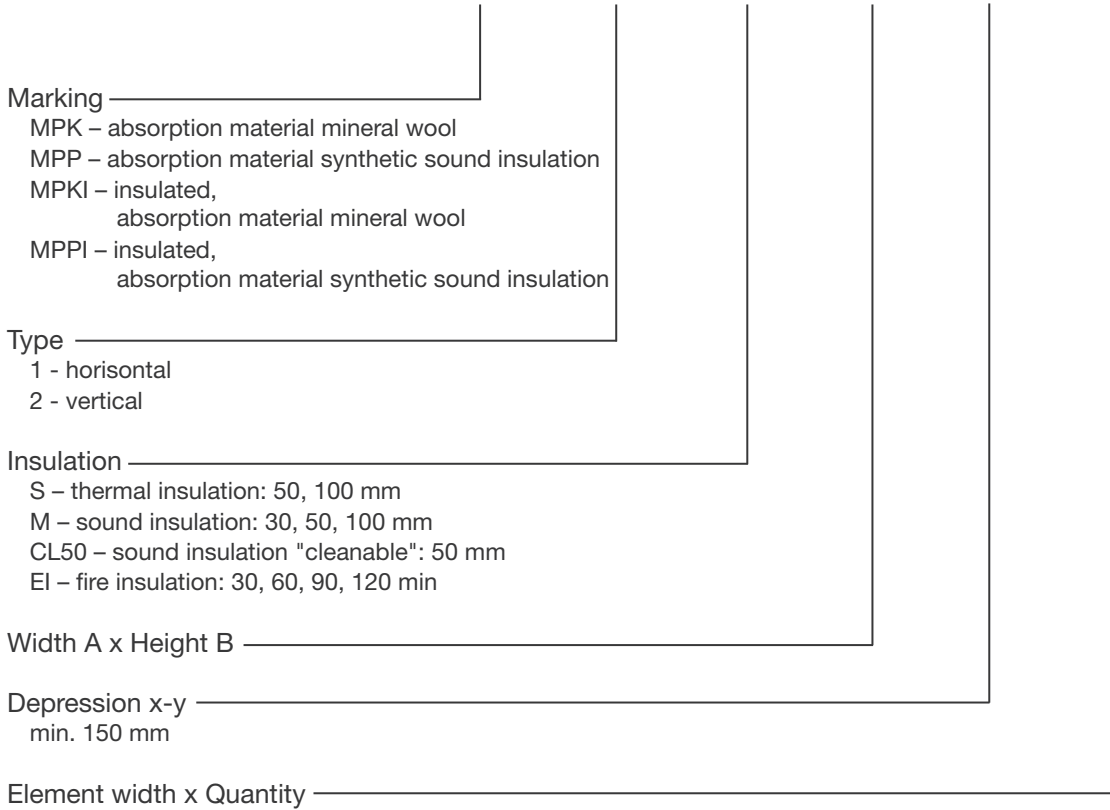
Horizontal pad: $L = a + x + y$

Vertical pad: $L = b + x + y$



Product codes

MPK - 1 - i - A x B - x-y - f x n



Example: MPKI-1 MP50-500x400-150-150-2x100