

NORDcanopy

HP Compact Canopy for Small Kitchens

Effective mesh filter

Energy efficient SpotLED luminaires

Small dimensions

Easy-to-clean design

Adjustable hanging system

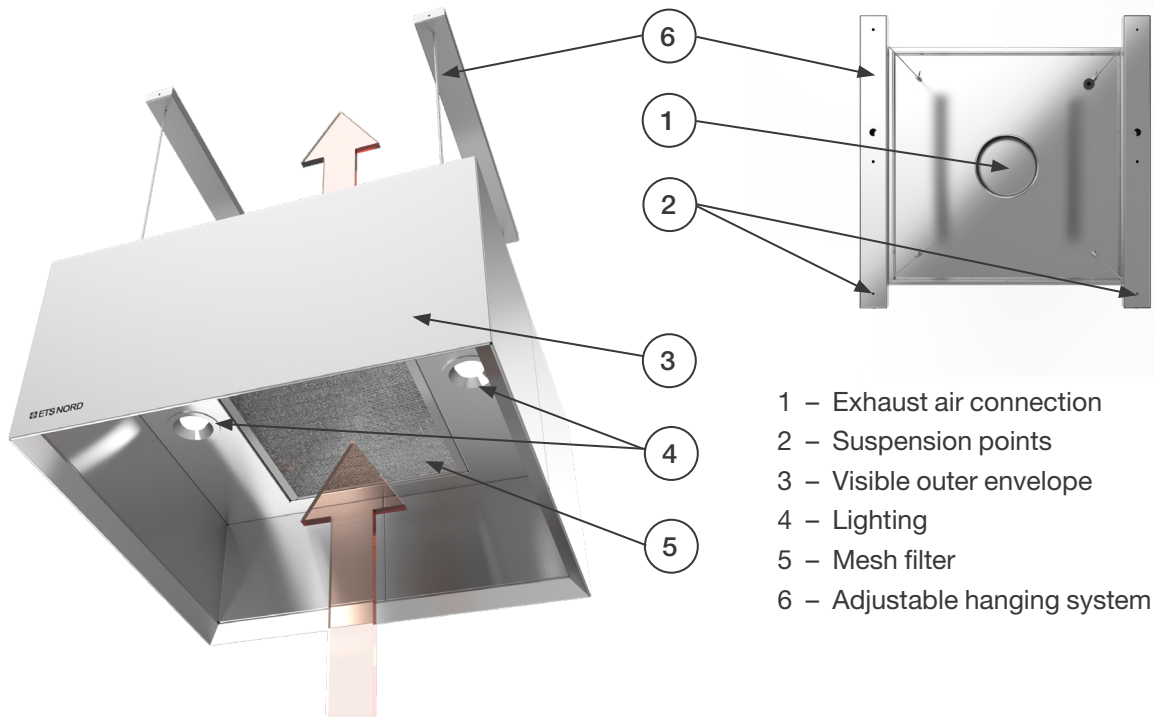
HP Compact Canopy

This simple and compact canopy ensures a clean, hygienic and comfortable work environment by capturing pollutants, excessive heat and grease from the kitchen. It is ideal for professional use in smaller settings such as cooking classes, food trucks, and smaller fast-food establishments. The HP canopy can be combined with an external duct or roof fan. This is a perfect solution for those who demand high performance in a compact form.

- The canopy is made from stainless steel (AISI 304, surface 2K).
- The side walls of the canopy are a closed structure and airtight.
- Easy-to-clean surfaces.
- Smooth surface transitions ensure extra hygiene.
- Adjustable hanging system is included.
- Effective air extraction despite its small size.
- Mesh grease filter for exhaust.



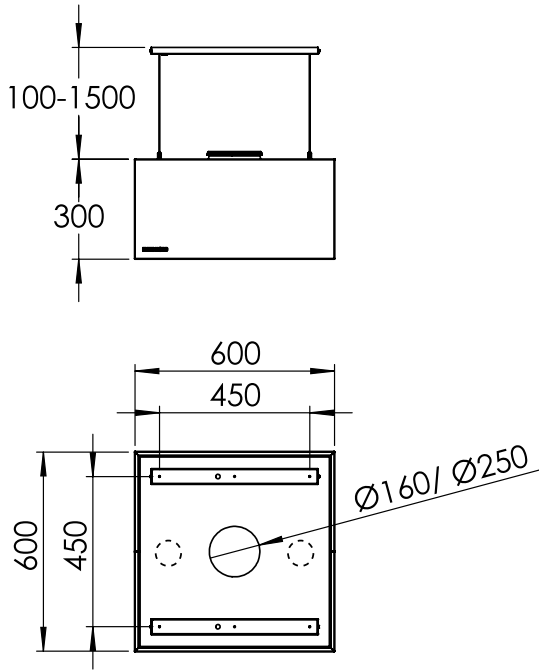
Construction



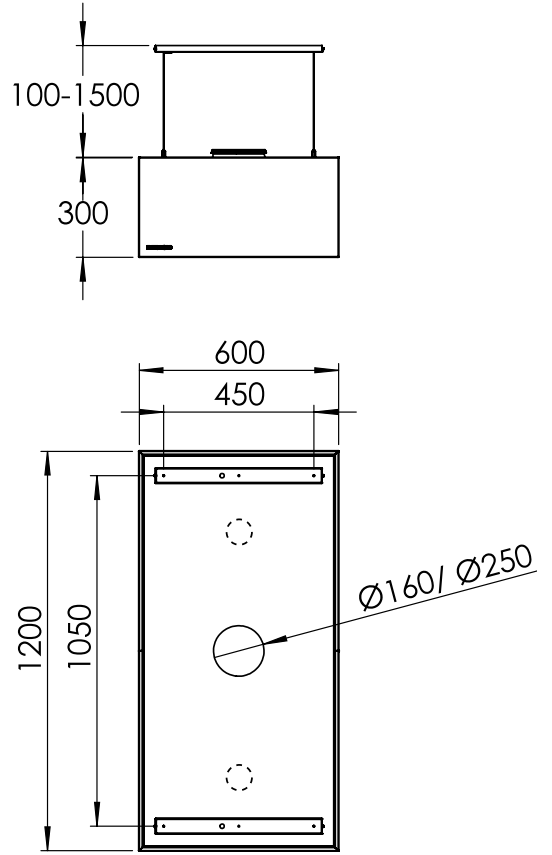
- 1 – Exhaust air connection
- 2 – Suspension points
- 3 – Visible outer envelope
- 4 – Lighting
- 5 – Mesh filter
- 6 – Adjustable hanging system

Dimensions

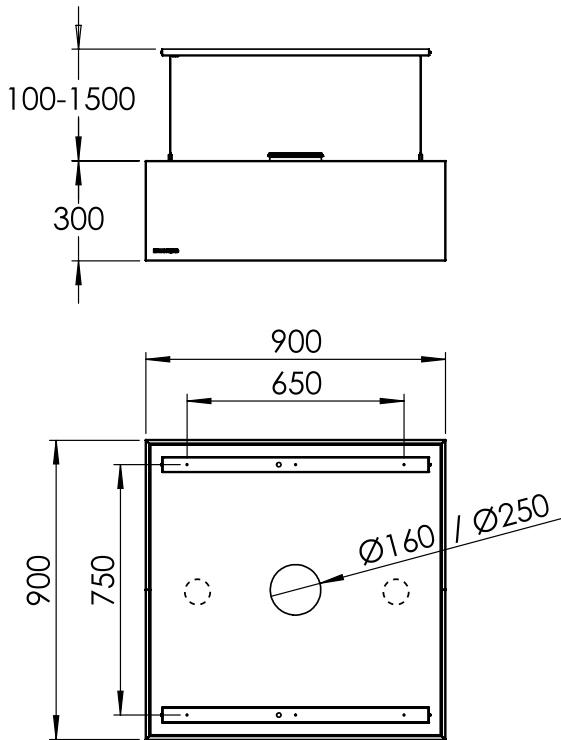
HP 600x600 mm



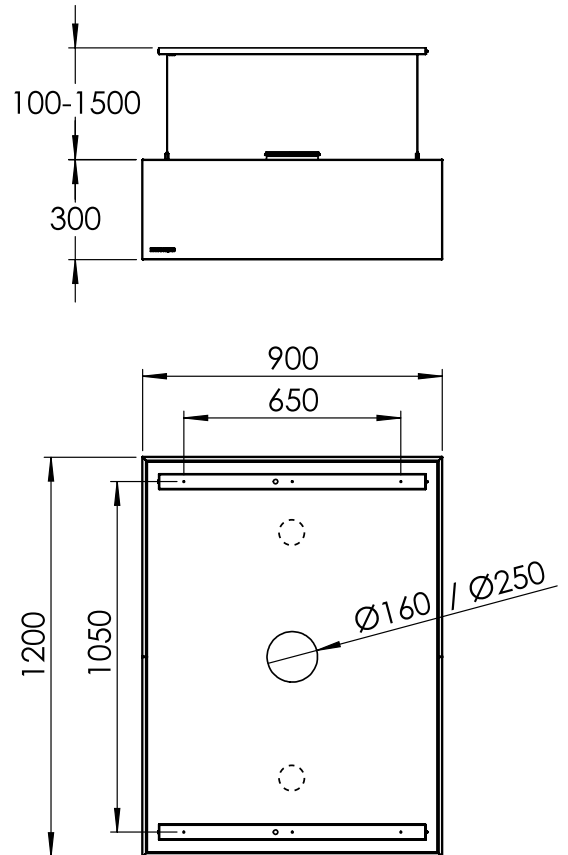
HP 600x1200 mm



HP 900x900 mm



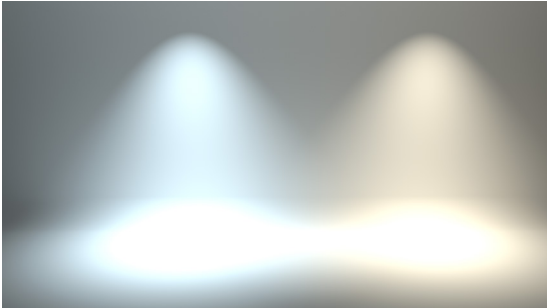
HP 900x1200 mm



Lighting

All kitchens require functional lighting to ensure that the personnel has a safe and effective work environment. ETS NORD kitchen canopies use energy-efficient recessed SpotLED luminaires.

Luminaires have been integrated into the ceiling of the canopy and are protected by an aluminium frame and glass casing. Choose 4000K for optimal visibility and detailed clarity in kitchen environments, or 3000K for accurate food presentation and cozy dining atmosphere.



Colour temperatures 4000K and 3000K.

SpotLED lighting fixtures, IP65

Light colour: 4000K (colder), 3000K (warmer)

Housing material: Aluminium

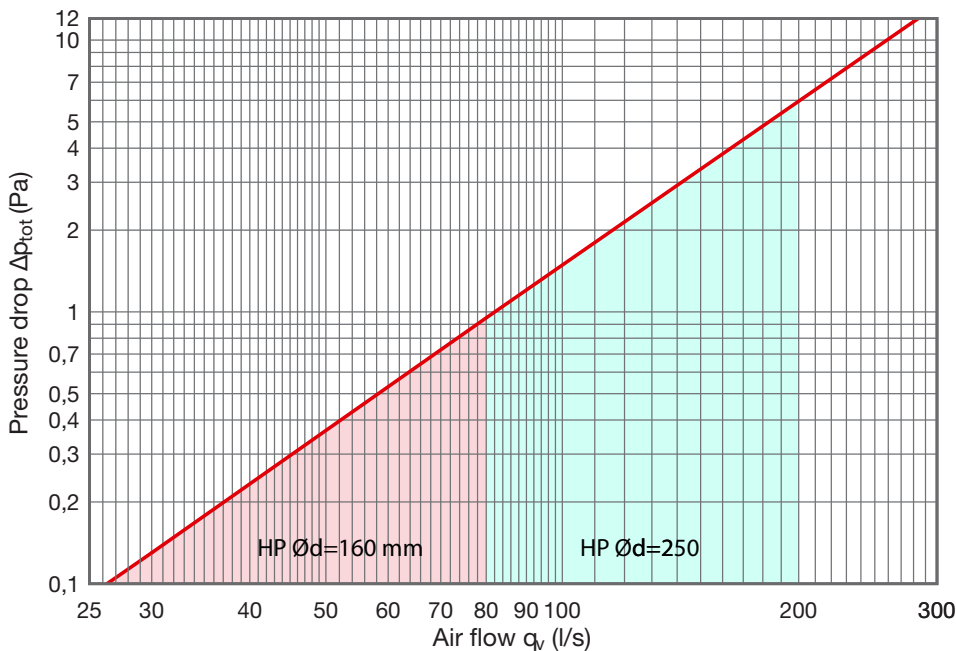
Colour separation index: > 80 (Ra)

Fire-resistant (up to 90 minutes EN 1365-2:2014 Part 2)

| SpotLED quantity | Energy use (W) | Flux 4000K (lm) | Flux 3000K (lm) | Beam angle |
|------------------|----------------|-----------------|-----------------|------------|
| 2 | 16 | 1340 | 1240 | 36° |

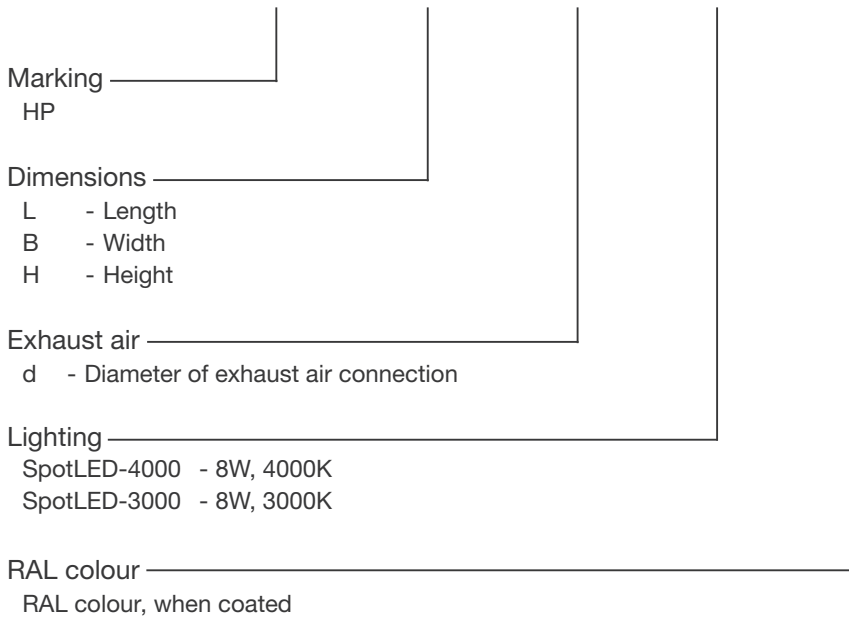
Technical Data

Exhaust air



Product Marking

HP - LxBxH - d - XXX - RAL 9005

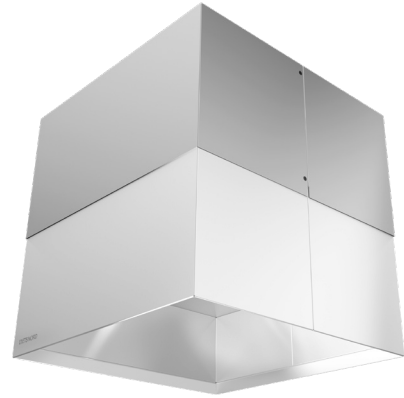


Example: HP 600x600x300 - 160 - SpotLED-4000

Optional Extras

CPH Cover Plates

Cover plates are manufactured from stainless steel (AISI 304, surface 2K) and installed between the top edge of the canopy and the inner ceiling to conceal the technical airspace inbetween. The height of the cover plates can be 50–1100 mm. When canopy is color coated, cover plates are also coated with the same color.





ETS NORD AS

Address: Peterburi tee 53
11415 Tallinn
Estonia

Phone: +372 680 7360

info@etsnord.ee
www.etsnord.ee

ETS NORD Finland

Address: Pakkasraitti 4
04360 Tuusula
Finland

Phone: +358 401 842 842

info@etsnord.fi
www.etsnord.fi

ETS NORD Sweden

Address: Järsjögatan 7
69235 Kumla
Sweden

Phone: +46 19 554 20 50

info@etsnord.se
www.etsnord.se

ETS NORD International

info@etsnord.com
www.etsnord.com

ETS NORD Ventilation Manufacturing LLC UAE

Address: Dubai Industrial City
Phase 3, Dubai

Phone: +971 5257 02916

sepin.rayo@etsnord.com



Let's move the air together!