

KRS-T Shut-off and regulating damper

The KRS-T shut-off and regulating damper is designed to be used for shut-off and regulate air-flow in smoke control and ventilation systems. Can be used as shut-off damper for compensating ventilation duct in smoke control system.

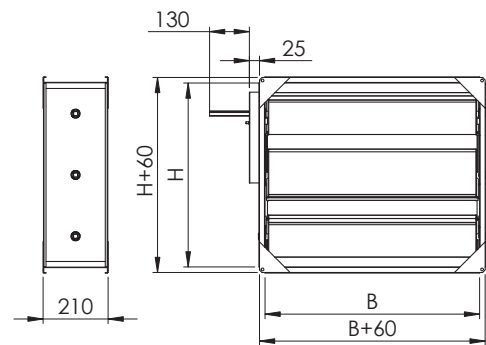
Damper tightness class is 3 (EVS-EN 1751:2014).



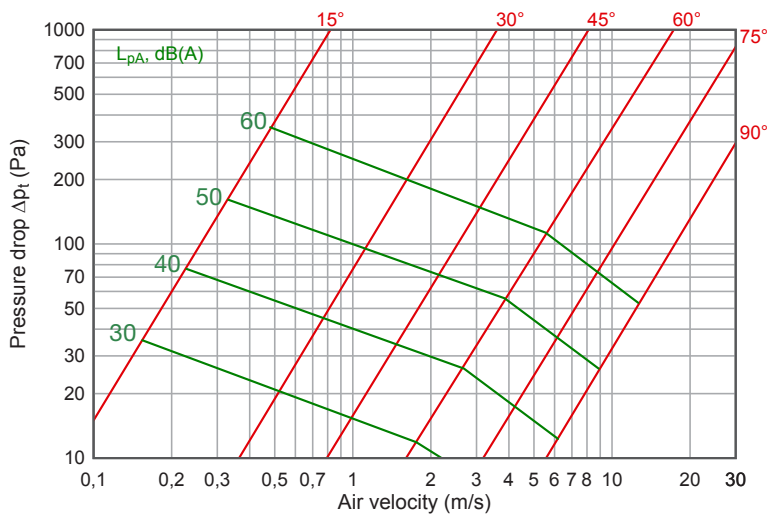
Structure and dimensions

KRS-T damper casing and blades are manufactured of galvanized steel sheet. The damper closing mechanism is equipped with brass bearings.

KRS-T damper blades are insulated with mineral wool. All blades have profiled sandwich structure and smooth surface to prevent thermal bridges and dirt accumulation.

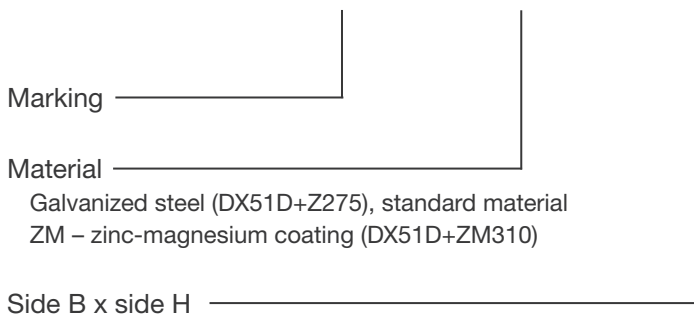


Technical data



Product codes

KRS-T - Material - B x H



Galvanized steel (DX51D+Z275), standard material
 ZM – zinc-magnesium coating (DX51D+ZM310)

Example: KRS-T 500x300