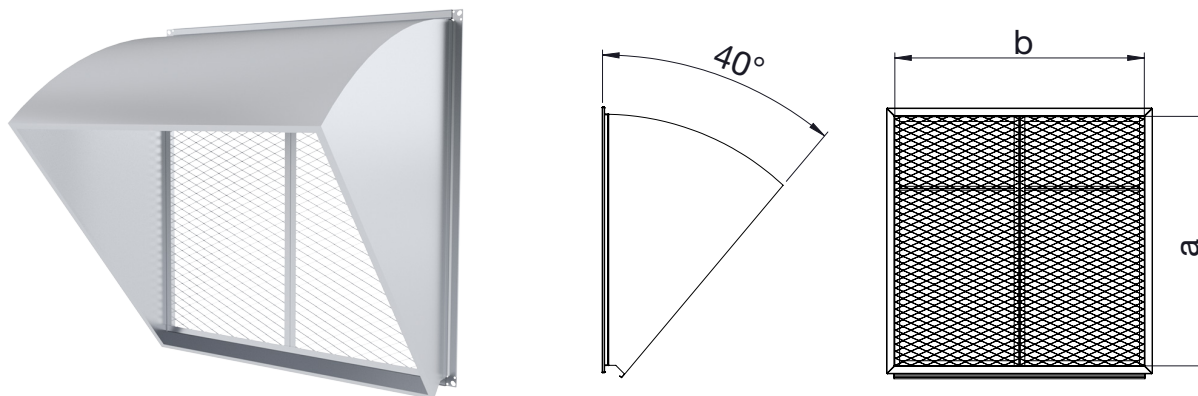


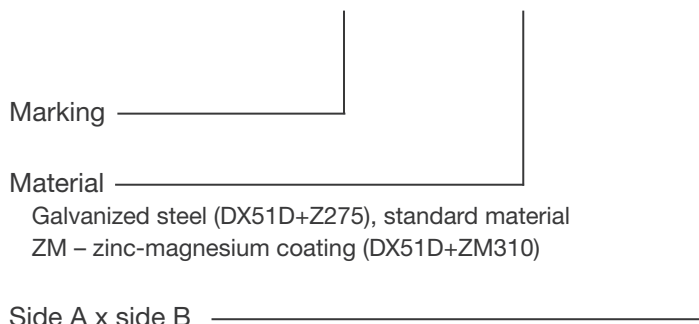
**EVR-T Air intake with mesh**



EVR-T diagonal air intake with mesh for supply and exhaust duct.

**Product codes**

EVR-T - Material - A x B



Marking

Material

Galvanized steel (DX51D+Z275), standard material  
 ZM – zinc-magnesium coating (DX51D+ZM310)

Side A x side B

Example: EVR-T 500x300