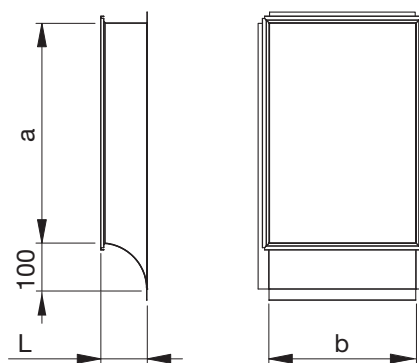
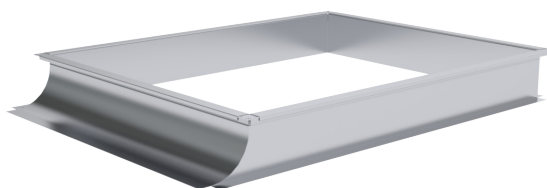


ESK-T Saddle

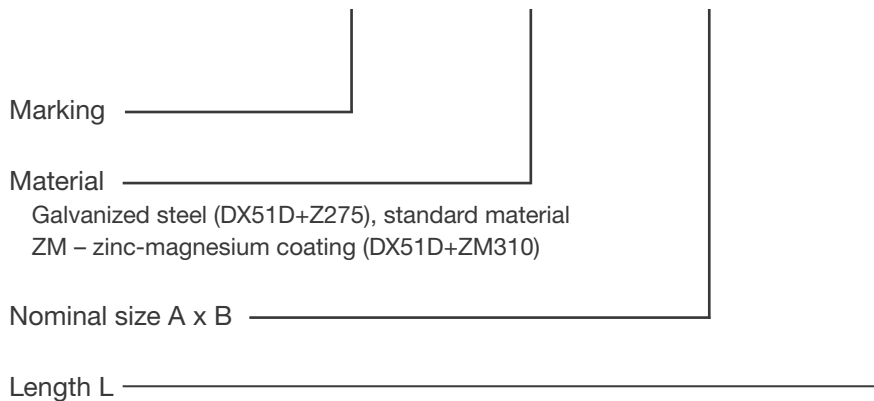
Flat saddle for a rectangular duct. One edge of the saddle is provided with a connection bar and the other edge is bent. Standard length is 125 mm.

For connection the saddle is provided with E30-profile.



Product codes

ESK-T - Material - A x B - L



Example: ESK-T 600x400-125