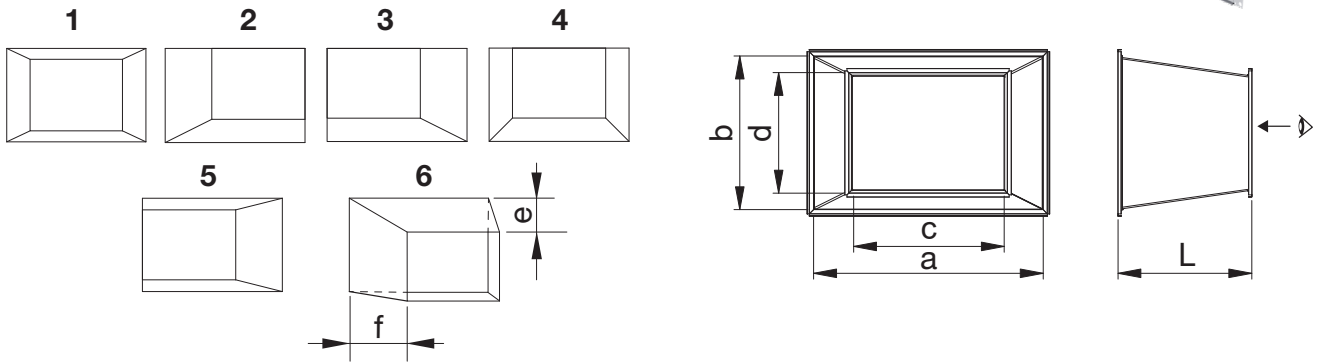


EKK-T Reducer

Reducers are used to connect ducts of different sizes.
 When a and b < 800, then l = 300 mm
 When a or b ≥ 800, then l = 500 mm
 For connection the reducer is provided with flanges height 30 mm.



Location



Product codes

	EKK-T	-	Material	-	A x B	-	C x D	-	L	-	Location
Marking	_____										
Material	_____										
	Galvanized steel (DX51D+Z275), standard material ZM – zinc-magnesium coating (DX51D+ZM310)										
Width A x Height B	_____										
Width C x Height D	_____										
Length	_____										
Location	_____										

Example: EKK-T 600x400/400x300-1