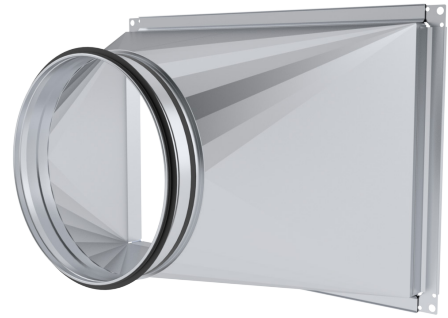
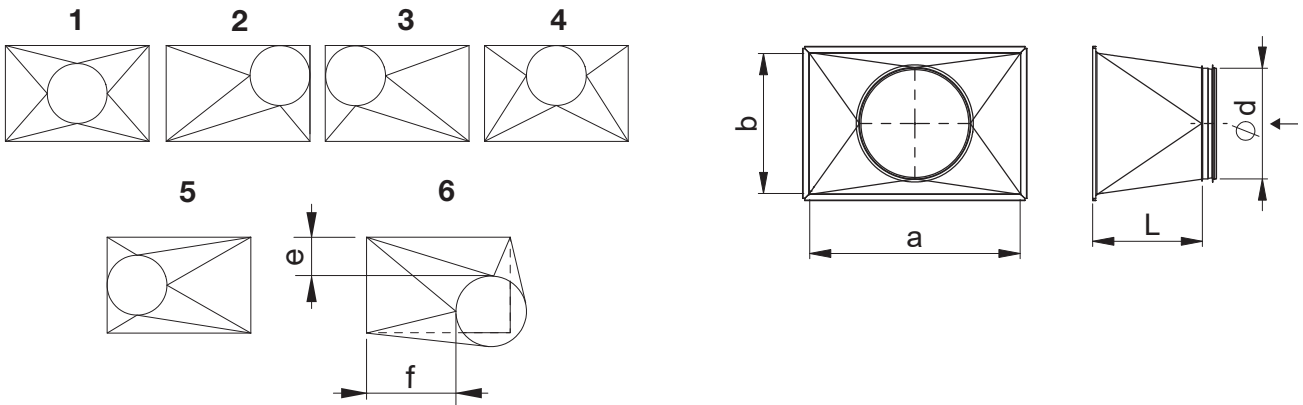


**EKD-T Reducer to circular duct**

Used to connect rectangular and circular ducts.  
 When a and b < 800, then l = 300 mm  
 When a or b ≥ 800, then l = 500 mm  
 For connection the reducer rectangular end is provided with E30-profile.



**Location**



**Product codes**

**EKK-T - Material - A x B - C x D - L - Location**

|  |  |  |  |  |  |
|--|--|--|--|--|--|
| Marking  |  |  |  |  |  |
| Material   |  |  |  |  |  |
| Galvanized steel (DX51D+Z275), standard material |  |  |  |  |  |
| ZM – zinc-magnesium coating (DX51D+ZM310)        |  |  |  |  |  |
| Width A x Height B                               |  |  |  |  |  |
| Diameter D                                       |  |  |  |  |  |
| Length L   |  |  |  |  |  |
| Location   |  |  |  |  |  |

**Example:**     **EKD-T 600x400/400-2**