



## **NORD**canopy

### HN Exhaust Canopy (Small Dishwasher)

Solutions for dishwashing areas

---

Replacement room air provided through front panel

---

"AirGrip" air intake system

---

Energy efficient LED lights

---

HACCP certified (no. I-PE-106-ETS-R4-01)

[www.nordcooking.com](http://www.nordcooking.com)

## General

The NORDcanopy product portfolio consists of canopies and related air treatment products for use in commercial and industrial kitchen ventilation to create a comfortable and hygienic work environment.

Our products combine stylish design with highly effective grease, steam, heat and odor removal performance for your project.

We at ETS Nord know that no projects are exactly alike. We have designed our canopies to be modular, so we can custom design and manufacture a NORDcanopy solution to meet your each and every project requirement or technical need.

NORDcanopy products are manufactured from stainless steel according to standards EVS-EN 10088- 2:2014, EN 1.4301 or AISI 304 (AISI 304, surface 2K).

HACCP International certifies the equipment as food-safe and suitable for use in food facilities that operate in accordance with a HACCP based Food Safety Programme.

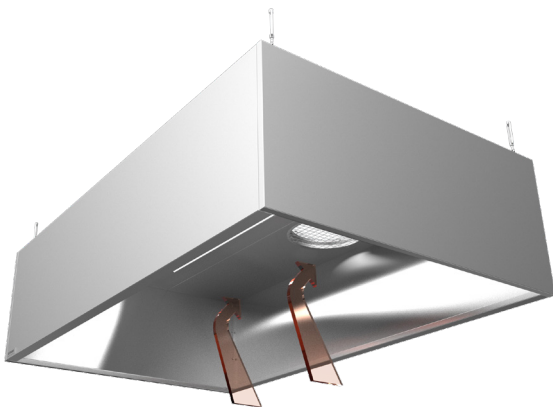


**HN Exhaust Canopy (Small Dishwasher)**

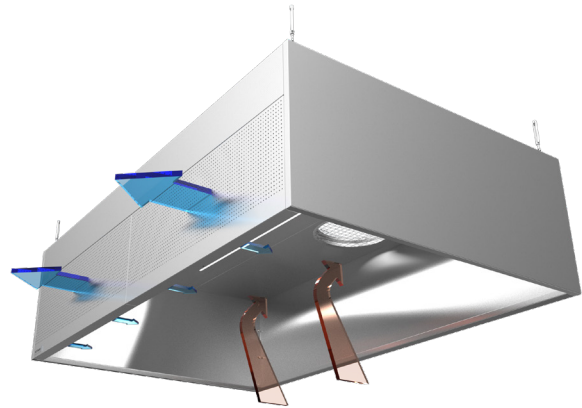


The HN canopy ensures a clean, hygienic and comfortable work environment by removing pollutants and excess heat from your commercial or industrial operations. HN is ideal for small dishwasher applications and is with or without integrated supply air.

**Function**



HN without supply air

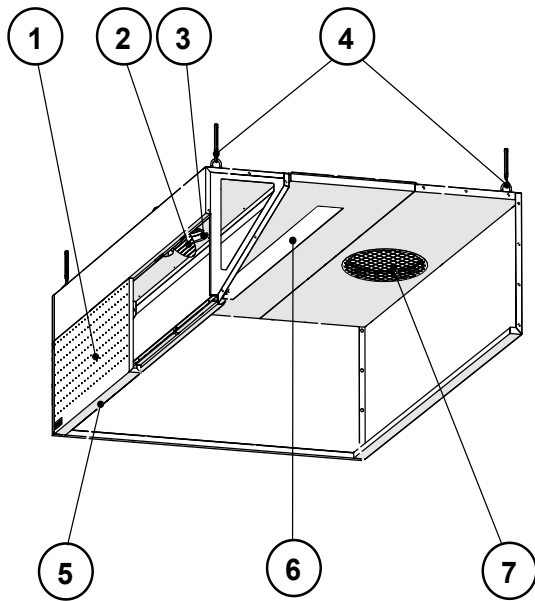


HN with supply air

**Supply Air Specifications (When Applicable)**

	Perforation pattern		
	SPx1	SPx2	SPx3
Supply airflow (with "AirGrip" air nozzle system) per linear meter of panel, l/s	10-61 Pa 71-175 l/s	10-40 Pa 110-220 l/s	10-28 Pa 165-275 l/s

**Construction**



- 1 – Front panel
- 2 – Supply air regulating plate
- 3 – Supply air connection
- 4 – Suspension points
- 5 – Front panel lock
- 6 – Lighting
- 7 – Exhaust air connection

- The canopy is made from stainless steel (AISI 304, surface 2K).
- Duct connections are equipped with rubber gaskets.
- Supply air chambers are heat insulated to prevent condensation of steam on the inner surface of the canopy.
- Easy-to-clean surfaces.
- Access to the chamber to enable cleaning of the supply pipes is ensured through the easy-to-remove front panel of the canopy. Exhaust pipes can be connected and insulated via the removable ceiling panel.
- A sectioned canopy is supplied without partition walls.
- Adjustable suspension hardware is included.

**Lighting**

Professional kitchens require functional lighting to ensure that employees have a safe and effective work environment.

ETS NORD professional kitchen canopies use the next generation of energy-efficient LED luminaries, which can save as much as 50% more energy compared to old technologies.

Canopies include LED luminaries integrated into their ceilings, protected by an aluminum and plastic glass casing. The size and number of light fixtures are determined by the size of the canopy, to ensure there is enough light output for the entire workspace.

LED luminaries have two color temperature options - colder 4000K and warmer 3000K. It is also possible to choose between regular LED and DALI2 (dimnable) luminaries.



**LED luminaries (standard), IP66**

Canopy section length (mm)	Luminaries	Lighting length (mm)	Energy use (W)	Color temperature (K)	Color rendering index (Ra)	Flux (lm)
1000 ≤ L <1300	LED-4000-600	600	17	4000	90	2907
1000 ≤ L <1300	LED-3000-600	600	17	3000	90	2907
1400 ≤ L <2900	LED-4000-1200	1200	34	4000	90	6498
1400 ≤ L <2900	LED-3000-1200	1200	34	3000	90	6498

**DALI2 LED luminaries, IP66**

Canopy section length (mm)	Luminaries	Lighting length (mm)	Energy use (W)	Color temperature (K)	Color rendering index (Ra)	Flux (lm)
1000 ≤ L <1300	DALI2-4000-600	600	20	4000	90	3000
1000 ≤ L <1300	DALI2-3000-600	600	20	3000	90	3000
1400 ≤ L <2900	DALI2-4000-1200	1200	37	4000	90	6000
1400 ≤ L <2900	DALI2-3000-1200	1200	37	3000	90	6000

**Spot LED lighting fixtures, IP65**

Light colour: 4000K (colder), 3000K (warmer)

Housing material: Aluminium

Colour separation index: > 80 (Ra)



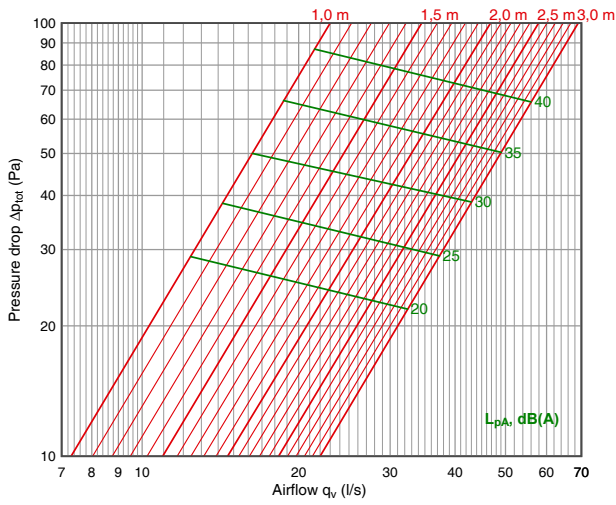
Canopy length (mm)	Spot LED quantity	Energy use (W)	Flux 4000K (lm)	Flux 3000K (lm)	Radiation angle
1000 ≤ L <1200	2	16	1340	1240	36°
1300 ≤ L <1700	3	24	2010	1860	36°
1800 ≤ L <2300	4	32	2680	2480	36°
2400 ≤ L ≤2900*	5	40	3350	3100	36°

\*In sectional canopies the amount of SpotLEDs may differ.

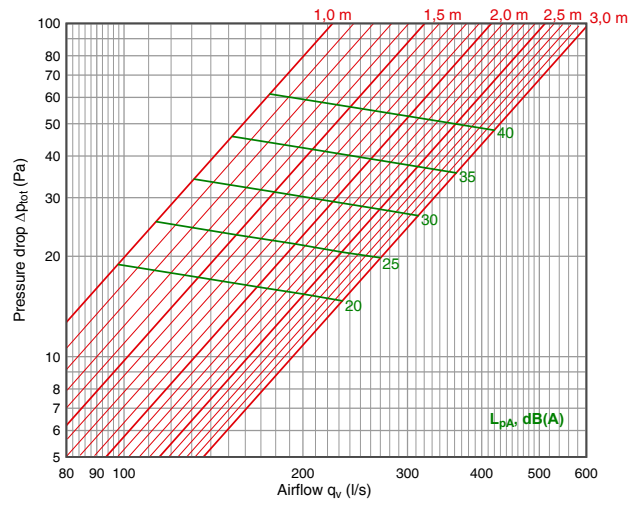
Technical Data

The supply panels always contain the "AirGrip" air capture system.

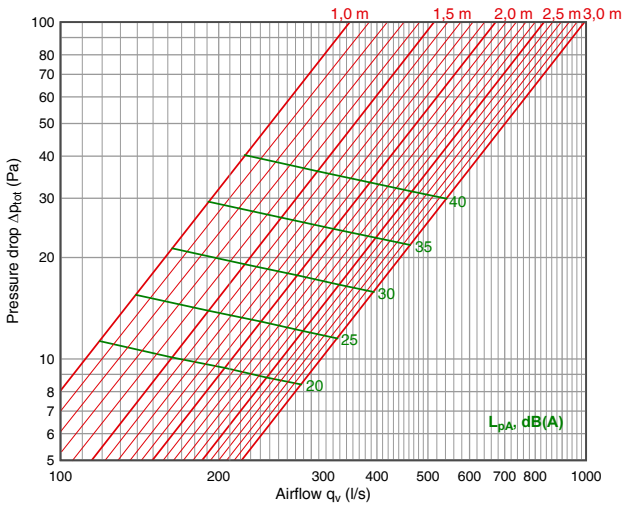
Supply air: "AirGrip"



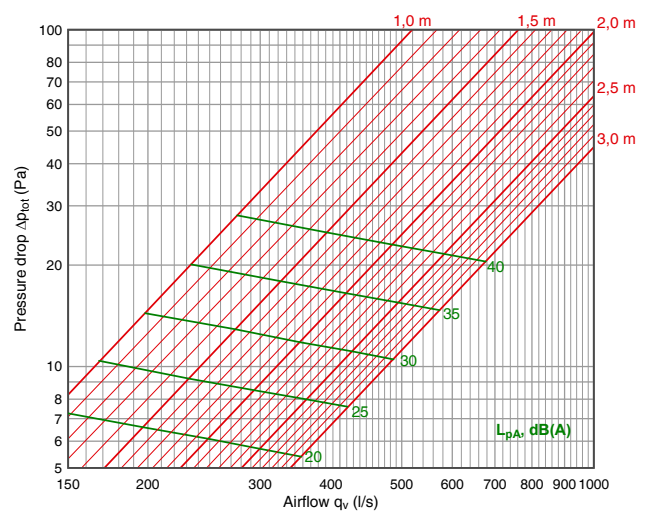
Supply air: SP×1



Supply air: SP×2



Supply air: SP×3

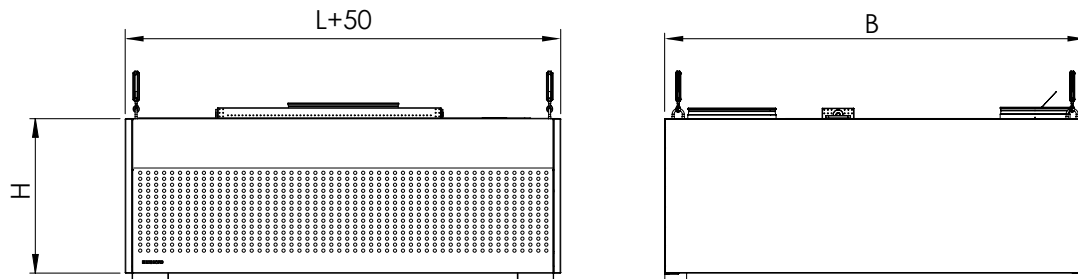


Acoustic Data

Supply air	Correction of sound level $K_{okt}$ (dB)							
	(Hz)							
	63	125	250	500	1000	2000	4000	8000
"AirGrip"	-6	-8	-5	-3	0	-1	-7	-20
SP×1	-1	0	3	2	-1	-3	-11	-23
SP×2	0	1	5	4	-1	-8	-20	-27
SP×3	7	5	6	4	-2	-13	-21	-30
	± 4 dB	± 4 dB	± 4 dB	± 2 dB	± 2 dB	± 2 dB	± 2 dB	± 2 dB

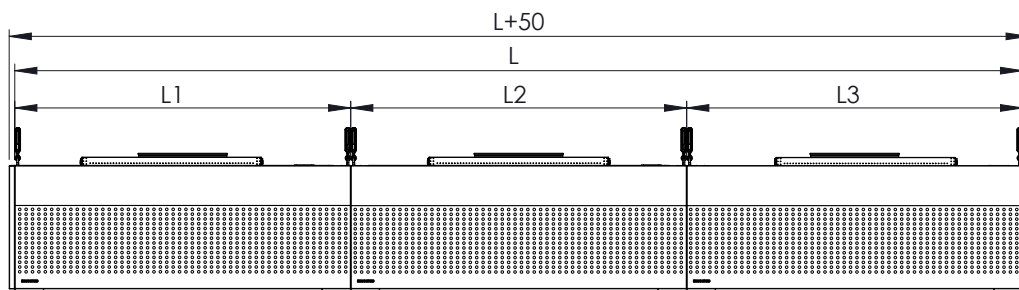
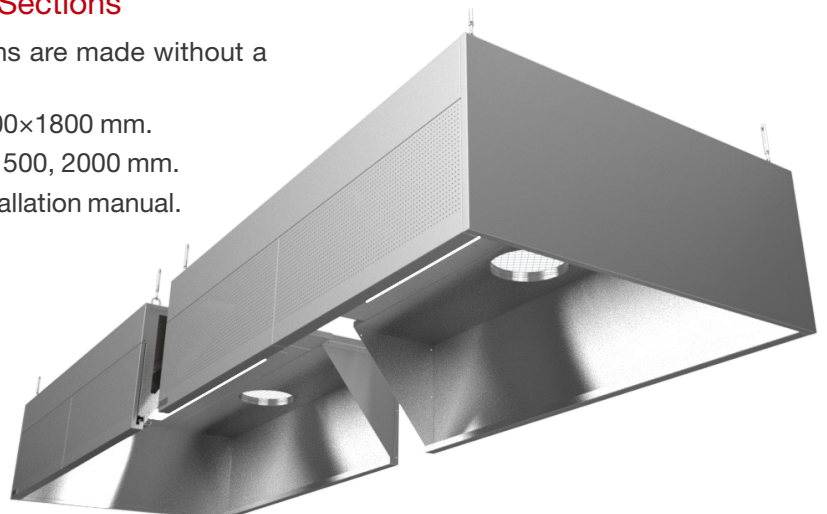
**Dimensions**

HN dimensions, mm	
L Length	600, 700, ..., 2400, 2900
B Width	500, 600, ..., 1900, 2000
H Height	400, 550

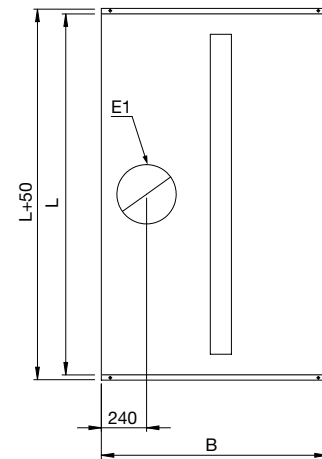
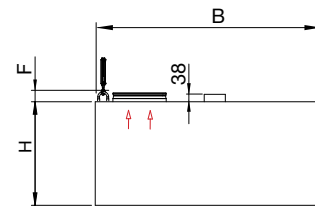


**Canopy Lengthening with Modular Sections**

- Canopies consisting of several sections are made without a partition wall.
- The maximum size of one section is 2900×1800 mm.
- Preferred length dimensions are 1000, 1500, 2000 mm.
- For connecting the sections see the installation manual.



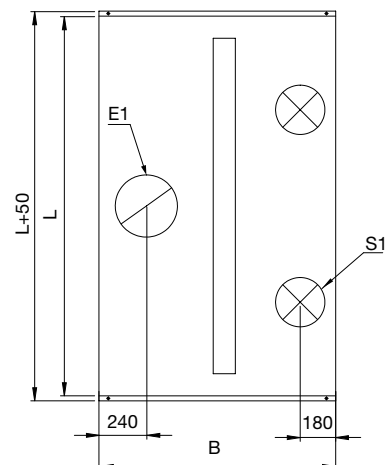
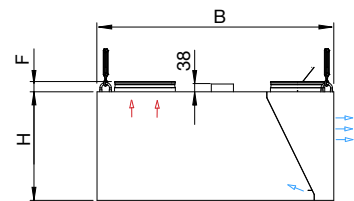
**HN canopy, without supply air**



**Section dimensions, mm**

L Length	600, 700, ..., 2800, 2900
B Width	500 (no lighting) 600, 700, ..., 1900, 2000
H Height	400, 550
E1, Ød	200 (F=40), 250 (F=43), 315 (F=43)

**HN canopy, with supply air**



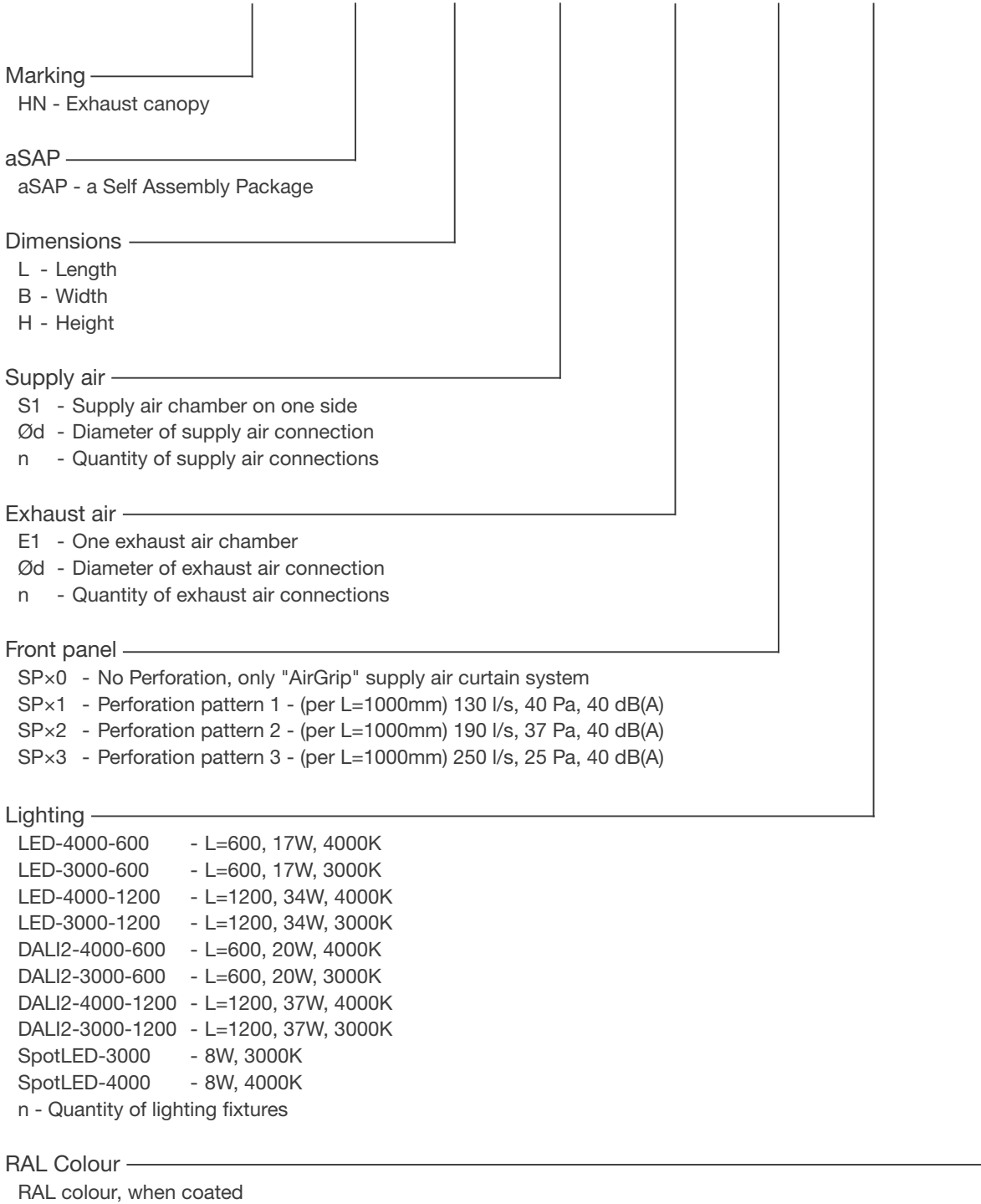
**Section dimensions, mm**

L Length	1000, 1100, ..., 2800, 2900
B Width	900, 1000, ..., 1900, 2000
H Height	400, 550
S1, Ød	160 (F=40), 200 (F=40), 250 (F=43)
E1, Ød	200 (F=40), 250 (F=43), 315 (F=43)



**Product Marking**

**HN - aSAP - LxBxH - S1=dxn - E1=dxn - SPx0 - XXXxn - RAL 9005**



**Example:**      **HN 2000x1000x550 - S1=200x3 - E1=315x1 - SPx1 - LED-4000-600x1**  
                     **HN 2000x1000x550 - E1=315x1 - SPx1 - DALI2-3000-600x1**

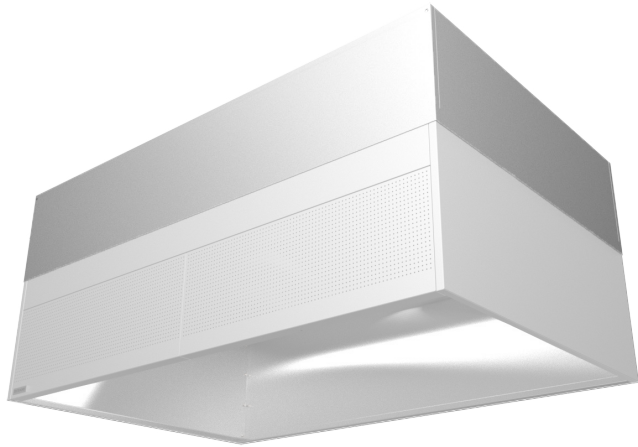
## Accessories

### CP Cover plates

Cover plates are made of stainless steel (AISI 304, surface 2K).

Cover plates are mounted in the area between the canopy and ceiling, when conduits and other components are to be concealed.

- CP-F – Front plate
- CP-B – Back plate
- CP-L – Left plate
- CP-R – Right plate





### **ETS NORD AS**

Address: Peterburi tee 53  
11415 Tallinn  
Estonia

Phone: +372 680 7360

info@etsnord.ee  
www.etsnord.ee

### **ETS NORD Finland**

Address: Pakkasraitti 4  
04360 Tuusula  
Finland

Phone: +358 401 842 842

info@etsnord.fi  
www.etsnord.fi

### **ETS NORD Sweden**

Address: Järsjögatan 7  
69235 Kumla  
Sweden

Phone: +46 19 554 20 50

Address: Pinjegatan 5  
21363 Malmö  
Sweden

Phone: +46 40-94 68 70

Address: Förrådsvägen 5  
151 58 Södertälje  
Sweden

Phone: +46 8 550 301 40

info@etsnord.se  
www.etsnord.se

### **ETS NORD International**

info@etsnord.com  
www.etsnord.com

### **ETS NORD Ventilation Manufacturing LLC UAE**

Sepin Rayo  
sepin.rayo@etsnord.com  
+971 5257 02916

*Let's move the air together!*

