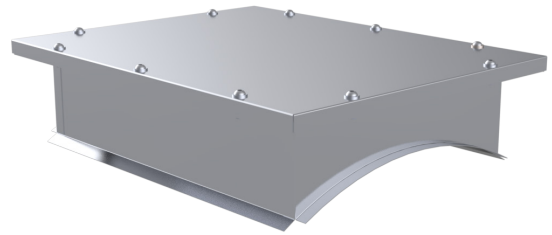


**TPLE-T Insulated access door**

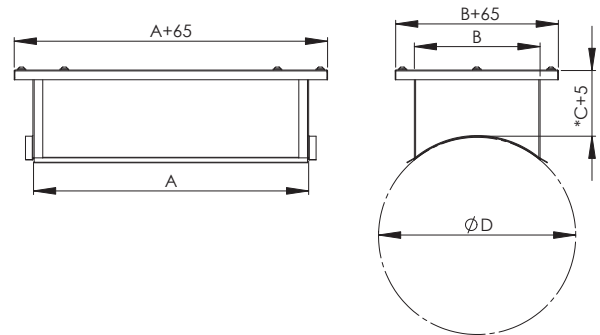
Insulated access door for round duct of Ø 100-1000 mm. Access doors meet requirements for tightness class C (EVS-EN 12237:2003).

Used fire insulation meets the testing methods requirements according to EN1366-1. Fire insulation strengths in accordance with EN-13501-1.



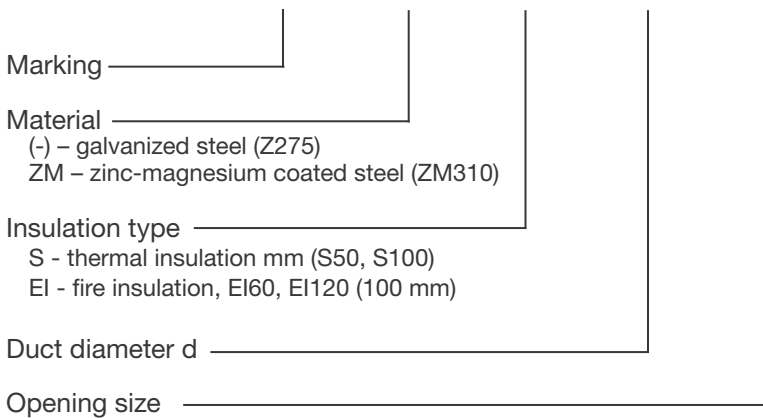
| Nominal size<br>Ø D, mm | A   | B   |
|-------------------------|-----|-----|
| 100                     | 200 | 100 |
| 125                     | 200 | 100 |
| 160                     | 200 | 100 |
| 200                     | 200 | 100 |
| 250                     | 200 | 100 |
| 315                     | 200 | 100 |
| 400                     | 300 | 200 |
| 500                     | 300 | 200 |
| 630                     | 400 | 300 |
| 800                     | 400 | 300 |
| 1000                    | 400 | 300 |

\*C=Insulation thickness



**Product code**

**TPLE-T - ZM - EI60 - d - AxB**



**Example: TPLE-T-S100-315**