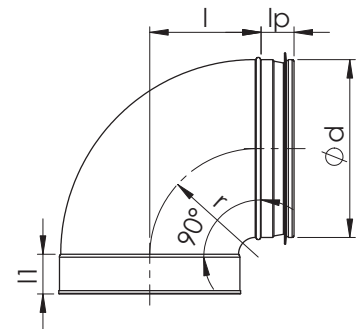
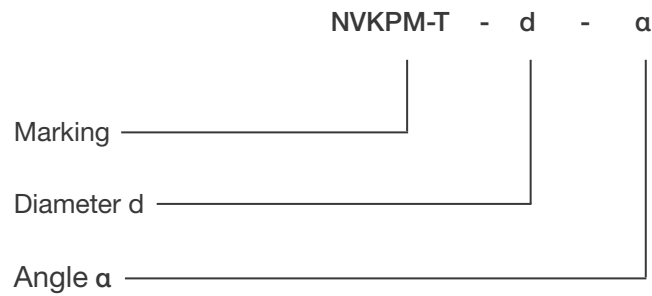


NVKPM-T 90° Pressed bend, short

Nominal size d	l (mm)	l _p (mm)	Weight (kg)
100	65	30	0,2
125	78	30	0,3
160	95	30	0,5



Product codes



Example: NVKPM-T 160-90