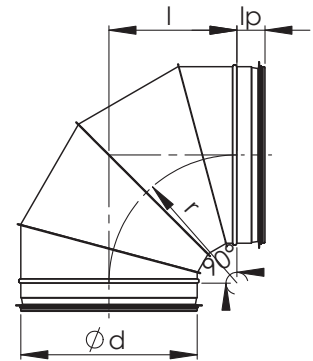


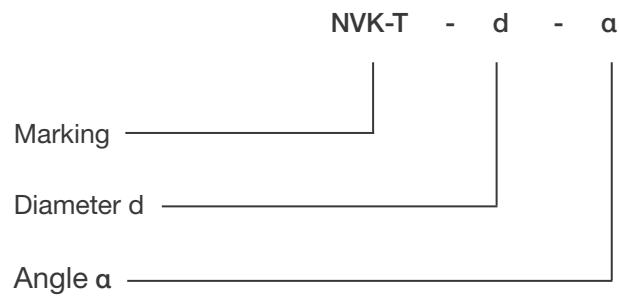
NVK-T 90° Bend, short

Ventilation system bend, consists of rolled sectors. $R \sim 0,6 * d$

Nominal size d_1	l (mm)	l_p (mm)	Weight (kg)
200	130	30	1,1
250	165	50	1,4
315	185	50	1,9
400	230	50	3,9
500	290	61	6,3
630	395	61	8,4
800	480	96	16
1000	580	110	29
1250	700	110	40



Product codes



Example: NVK-T 315-90