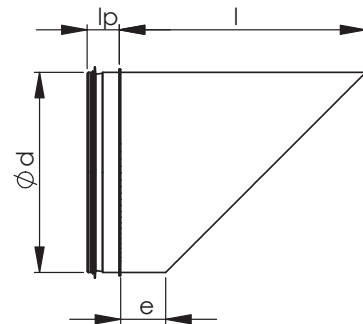
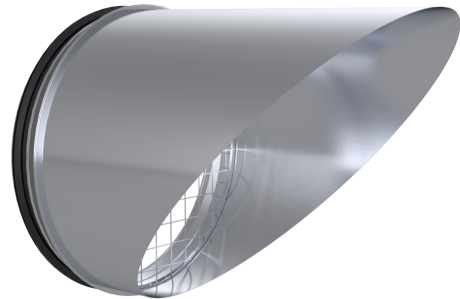


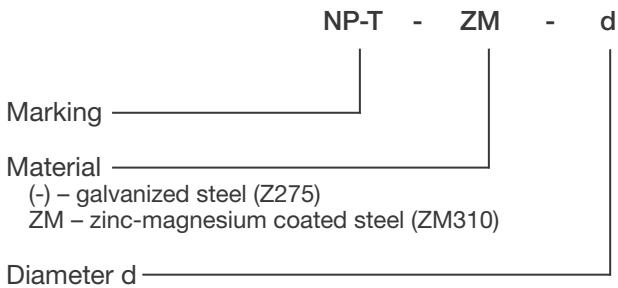
NP-T Air intake for duct

Air intake with a mesh is used at the end of the air supply and exhaust duct.

Nominal size d	l _p , mm	l, mm	e, mm	Weight, kg
100	48	155	55	0,35
125	48	155	30	0,45
160	48	200	40	0,6
200	48	240	40	0,8
250	53	300	50	0,9
315	53	365	50	1,7
400	50	450	50	3,5
500	51	560	60	4,8
630	51	690	60	7,5
800	75	870	70	13,0
1000	89	1070	70	18,0



Product code



Example: NP-T 315