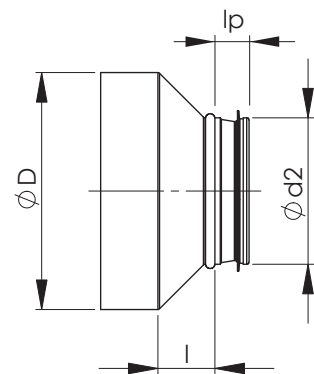
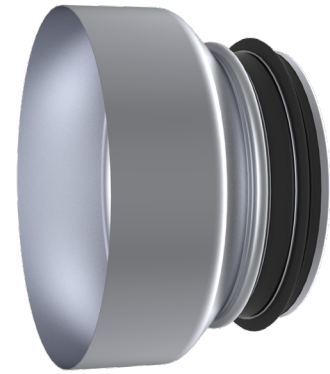


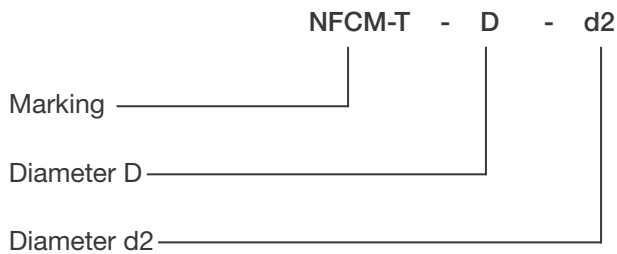
NFCM-T Reducer, concentric (pressed)

Concentric reducer between different sizes of ducts and parts.
Reducer is made from hot dip galvanized steel sheet (Z275).

Nominal size D-d2	l, mm	l _p , mm	Weight, kg
125-100	64	35	0,15
160-100	84	35	0,30
160-125	69	35	0,21
200-100	110	35	0,39
200-125	92	40	0,40
200-160	74	35	0,37
250-160	109	35	0,57
250-200	89	35	0,55
315-160	132	40	0,93
315-200	112	40	0,78
315-250	87	40	0,74



Product code



Example: NFCM-T 315-250