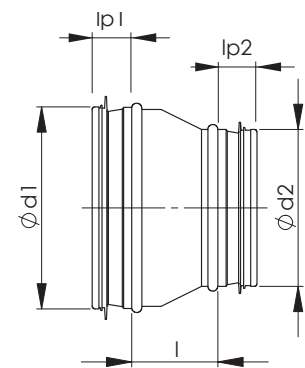


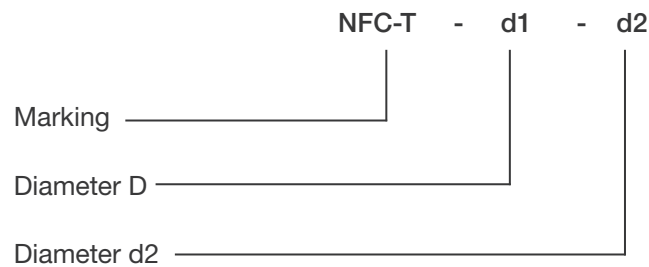
**NFC-T Reducer, concentric (pressed)**

Concentric reducer is designed for connection of different sizes of ventilation ducts. Reducer is made from hot dip galvanized steel sheet (Z275).

Nominal size d1-d2	l, mm	l <sub>p1</sub> , mm	l <sub>p2</sub> , mm	Weight, kg
125-100	44	30	30	0,17
160-100	62	30	30	0,30
160-125	42	30	30	0,25
200-100	82	30	30	0,39
200-125	62	30	30	0,40
200-160	45	30	30	0,35
250-160	63	45	35	0,57
250-200	43	45	35	0,55
315-160	96	45	35	0,93
315-200	76	45	35	0,78
315-250	51	45	45	0,74



**Product code**



Example: NFC-T 315-200