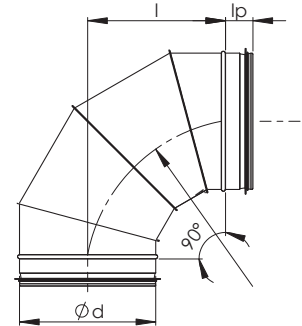


NV Käyrä

Sektoreista valssattu ilmanvaihtokäyrä. $r=1*d$.

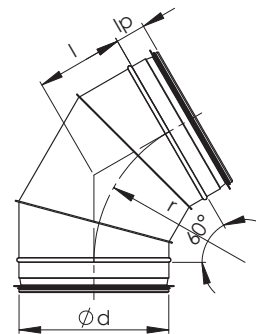
NV 90°

| Nimellismitta d | l mm | l _p mm | Paino kg |
|--------------------|---------|----------------------|-------------|
| 250 | 250 | 50 | 1,7 |
| 315 | 315 | 50 | 3,6 |
| 400 | 400 | 50 | 6,9 |
| 500 | 500 | 61 | 10,1 |
| 630 | 630 | 61 | 15,0 |
| 800 | 800 | 96 | 27,0 |
| 1000 | 1000 | 110 | 47,0 |
| 1250 | 1250 | 110 | 64,0 |
| 1600 | 1600 | 110 | 116,0 |



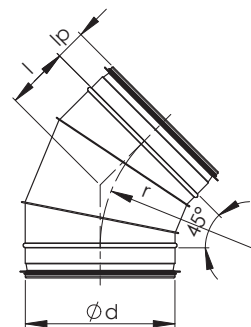
NV 60°

| Nimellismitta d | l mm | l _p mm | Paino kg |
|--------------------|---------|----------------------|-------------|
| 250 | 146 | 50 | 2,2 |
| 315 | 184 | 50 | 3,0 |
| 400 | 234 | 50 | 4,6 |
| 500 | 292 | 61 | 6,1 |
| 630 | 367 | 61 | 9,3 |
| 800 | 466 | 96 | 15,6 |
| 1000 | 583 | 110 | 29,0 |
| 1250 | 728 | 110 | 36,0 |
| 1600 | 932 | 110 | 83,0 |



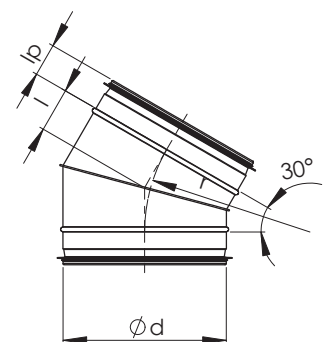
NV 45°

| Nimellismitta d | l mm | l _p mm | Paino kg |
|--------------------|---------|----------------------|-------------|
| 250 | 105 | 50 | 1,1 |
| 315 | 130 | 50 | 2,2 |
| 400 | 165 | 50 | 3,7 |
| 500 | 205 | 61 | 5,1 |
| 630 | 260 | 61 | 7,7 |
| 800 | 330 | 96 | 15,0 |
| 1000 | 415 | 110 | 24,0 |
| 1250 | 520 | 110 | 34,0 |
| 1600 | 665 | 110 | 63,0 |



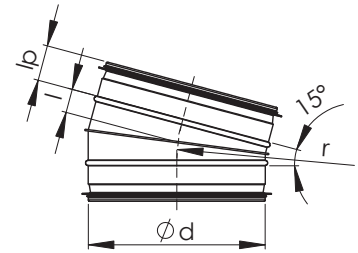
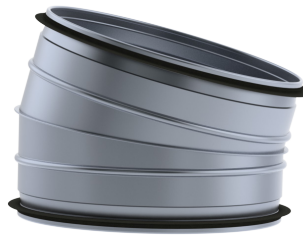
NV 30°

| Nimellismitta d | l mm | l _p mm | Paino kg |
|--------------------|---------|----------------------|-------------|
| 250 | 70 | 50 | 0,8 |
| 315 | 85 | 50 | 1,7 |
| 400 | 110 | 50 | 3,4 |
| 500 | 135 | 61 | 3,7 |
| 630 | 170 | 61 | 5,6 |
| 800 | 215 | 96 | 11,0 |
| 1000 | 270 | 110 | 17,0 |
| 1250 | 335 | 110 | 26,0 |

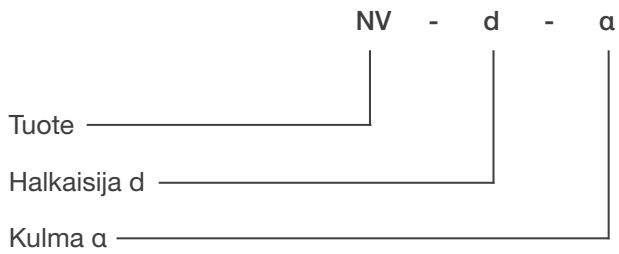


NV 15°

| Nimellismitta d | l mm | l _p mm | Paino kg |
|--------------------|---------|----------------------|-------------|
| 250 | 33 | 50 | 0,75 |
| 315 | 51 | 50 | 1,1 |
| 400 | 53 | 50 | 1,9 |
| 500 | 66 | 61 | 2,4 |
| 630 | 83 | 61 | 3,3 |
| 800 | 105 | 96 | 7,5 |
| 1000 | 132 | 110 | 13,0 |
| 1250 | 165 | 110 | 17,0 |



Tuotemerkintä



Esimerkki: NV 315-90