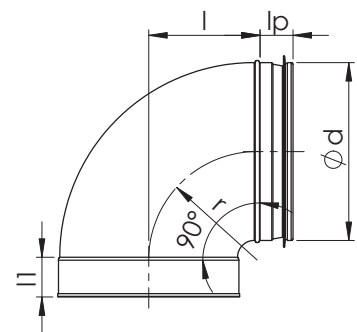
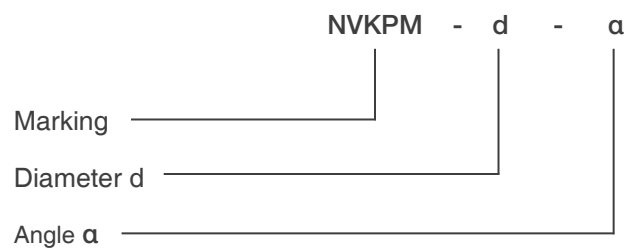


**NVKPM 90° Pressed bend, short**

Nominal size d	l mm	l <sub>p</sub> mm	Weight kg
100	65	30	0,2
125	78	30	0,3
160	95	30	0,5



**Product codes**



Example: NVKPM 160-90