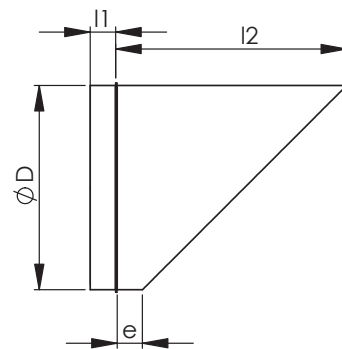
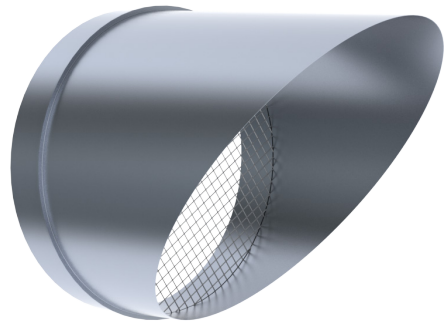


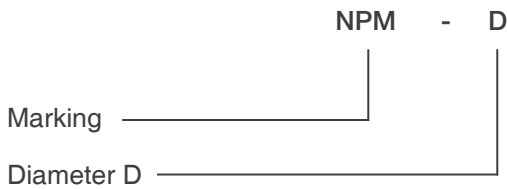
**NPM Air intake for fitting**

Air intake with a mesh is used at the end of the air supply and exhaust duct.

Nominal size D	l1, mm	l2, mm	e, mm	Weight, kg
100	39	165	65	0,35
125	39	190	65	0,45
160	39	200	40	0,6
200	39	240	40	0,8
250	58	300	50	0,9
315	58	365	50	1,7
400	55	450	50	3,5
500	70	560	60	4,8
630	70	690	60	7,5
800	103	870	70	13,0
1000	103	1070	70	18,0
1250	103	1320	70	26,0



**Product codes**



Example: NP 315