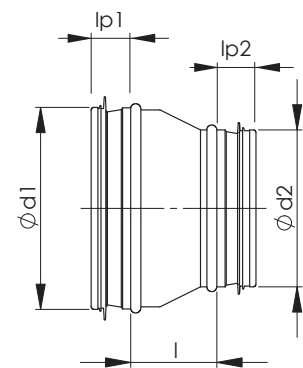


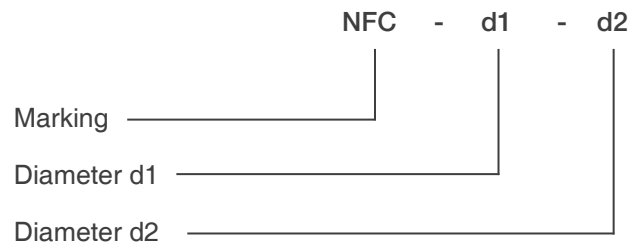
NFC Reducer, concentric (pressed)

Concentric reducer is designed for connection of different sizes of ventilation ducts.

Nominal size d ₁ -d ₂	l, mm	l _{p1} mm	l _{p2} mm	Weight, kg
125-100	44	30	30	0,17
160-100	62	30	30	0,30
160-125	42	30	30	0,25
200-100	82	30	30	0,39
200-125	62	30	30	0,40
200-160	45	30	30	0,35
250-160	63	45	35	0,57
250-200	43	45	35	0,55
315-160	96	45	35	0,93
315-200	76	45	35	0,78
315-250	51	45	45	0,74



Product codes



Example: NFC 315-200