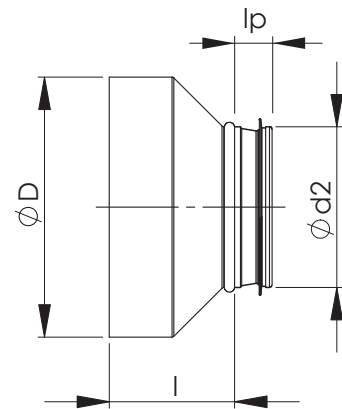
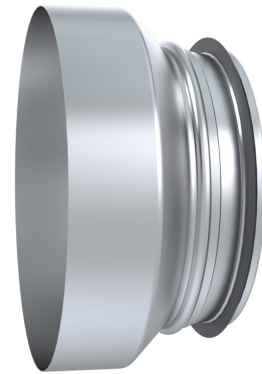


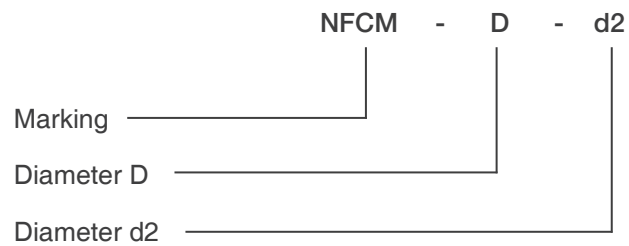
NFCM Reducer, concentric (pressed)

Concentric reducer between different sizes of ducts and parts.

Nominal size D-d ₂	l, mm	l _p mm	Weight, kg
125-100	64	35	0,15
160-100	84	35	0,30
160-125	69	35	0,21
200-100	110	35	0,39
200-125	92	40	0,40
200-160	74	35	0,37
250-200	89	35	0,55
315-160	132	40	0,93
315-200	112	40	0,78
315-250	87	40	0,74



Product codes



Example: NFCM 315-250