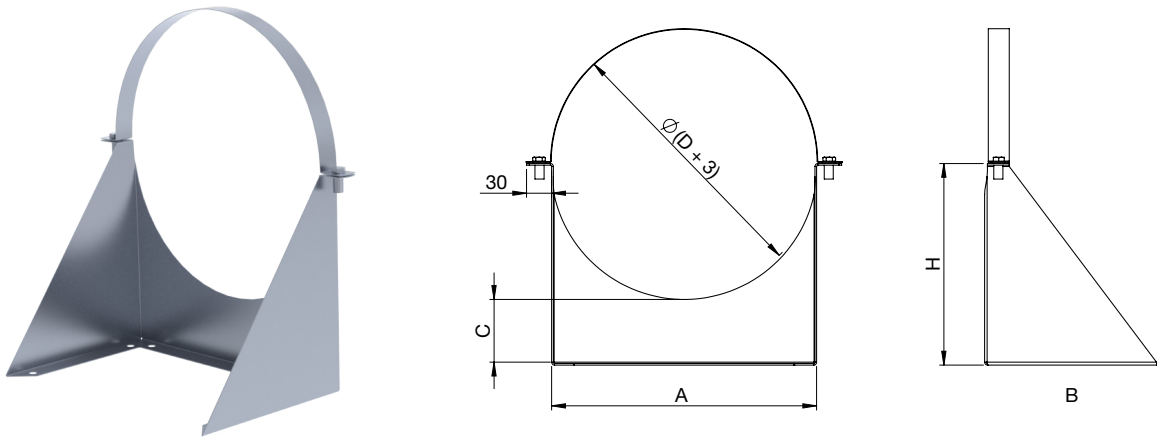


**TKT Wall clamp/console**



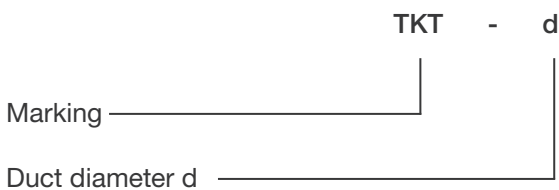
TKT is a clamp/console for securing round ducts. The clamp/console has 9 mm mounting holes. The clamp/console with rivet nut and bolt connection M8x20 Zn is used to fix the pipes.

- Clamps/consolas are made of hot-dip galvanized sheet steel (Z275).
- Duct diameters 100–630 mm
- Support height L=75 mm

The maximum allowed load is 0,5 kN.

Nominal size d (mm)	A (mm)	B (mm)	H (mm)	Console	TK clamp	Weight (kg)
				Mat. thickness s (mm)	Mat. thickness s (mm)	
100	105	125	126	1,0	1,0	0,40
125	130	125	139	1,0	1,0	0,50
160	165	150	156	1,0	1,0	0,60
200	505	150	176	1,0	1,0	0,90
250	255	150	201	1,2	2,0	1,00
315	320	200	234	1,2	2,0	1,40
400	405	200	276	1,2	2,0	1,60
500	505	250	326	1,2	2,0	2,30
630	635	300	391	1,2	2,0	3,40

**Product marking**



Example: TKT 200