

**DKA Ceiling diffuser**

Ceiling diffuser with adjustable air jet pattern. Horizontal or vertical supply air pattern chosen by turning the cone.

**Features:**

- Horizontal or vertical air jet
- Installation in ceiling or free hanging
- Duct sizes Ø 160-630 mm
- Max.  $\Delta t=10^{\circ}\text{C}$

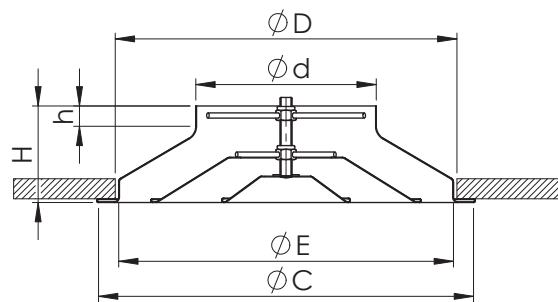


**Material and finish**

Manufactured of aluminium sheet and coated white (RAL 9003).

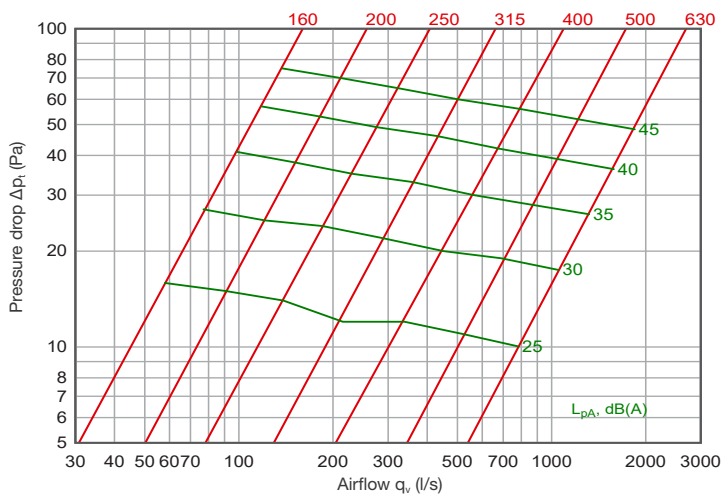
**Measurements**

Size	Ød	ØE	ØC	h	H	ØD
160	157	280	335	45	105	288
200	198	360	423	48	118	370
250	248	445	517	48	130	461
315	313	560	640	48	146	576
400	398	680	776	65	185	700
500	498	805	917	65	185	825
630	628	943	1045	65	185	963



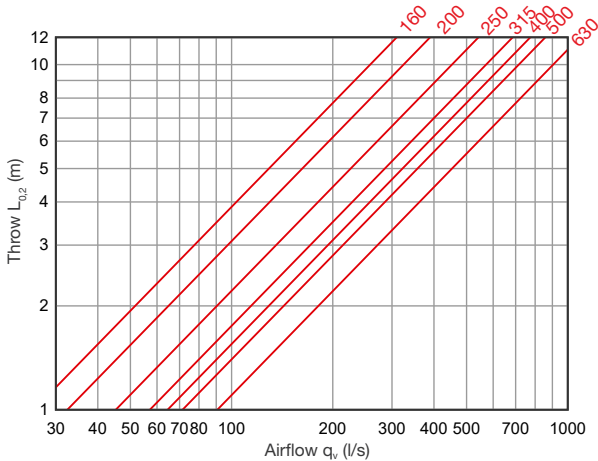
**Technical data**

Technical data are given for adjustment 0, when the inner and outer cones are on same level.

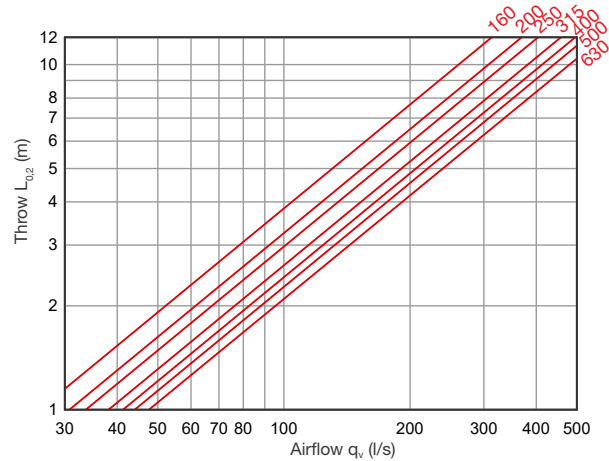


Throw

Horizontal jet



Vertical jet



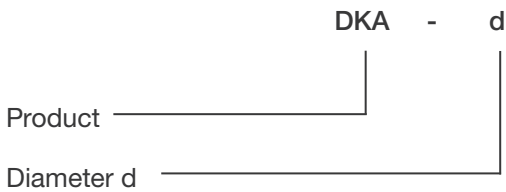
Acoustic data

Size	Sound level correction factor $K_{okt}$ [dB]					
	125	250	500	1000	2000	4000
160	6	4	2	-1	-6	-14
200	6	4	2	-2	-4	-13
250	6	6	1	-3	-4	-14
315	7	5	1	-1	-4	-14
400	8	5	3	-3	-5	-14
500	9	5	3	-4	-7	-14
Tol. ±	3	2	2	2	2	2

Size	Sound attenuation $\Delta L$ (dB) at octave bands, middle frequency, (Hz)					
	125	250	500	1000	2000	4000
160	12	8	3	1	0	0
200	11	8	3	0	0	0
250	10	5	2	0	0	0
315	8	5	1	0	0	0
400	7	4	1	0	0	0
500	6	2	0	0	0	0
Tol. ±	3	2	2	2	2	2

$$L_w = L_{A10} + K_{okt}$$

Product codes



Example: DKA 200

Maintenance

Remove the cones by turning counter-clockwise. Clean surfaces with damp cloth. Replace cones in its original positions.

N.B. Measure and note inner cone's original position.

Installation

Remove the cones. Attach the outer cone to duct or plenum box with rivets. Replace inner cones and adjust for position which gives the desired air flow and diffusion pattern.