

DDR Diffuser

Diffuser for supply air for large air quantities.
 Wall or ceiling installation. Diffusion pattern adjustable between narrow or wide by rotating the inner cone.
 Suitable also for heated supply air.

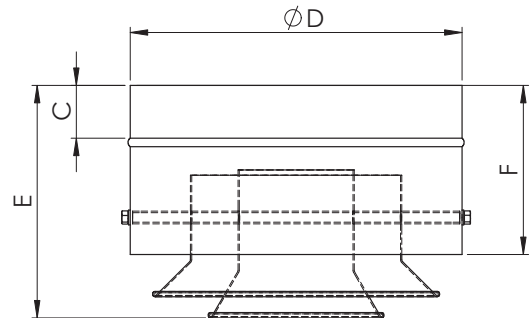


	l/s		
	30 dB(A)	35 dB(A)	40 dB(A)
DDR 200	150	180	220
DDR 250	230	280	390
DDR 315	350	410	580
DDR 400	540	610	900
DDR 500	700	850	1150

Material and sizes

Manufactured of galvanized steel and coated white (RAL 9003). Available in other RAL colours.

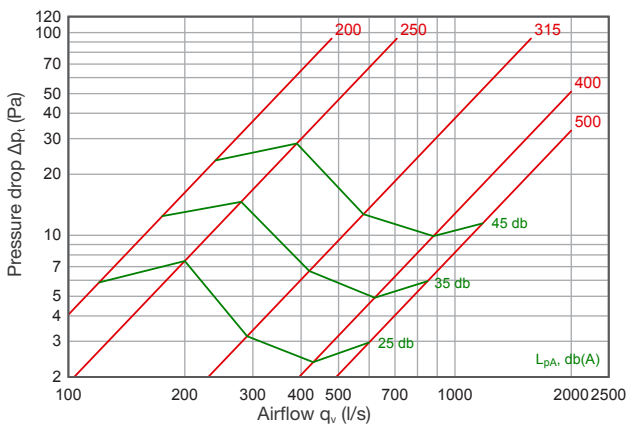
Nominal-size, mm	*ØD	F	E	C	Weight, kg
200	200	110	150	35	2,5
250	250	140	190	50	3,0
315	315	160	220	50	4,5
400	400	200	280	50	6,8
500	500	270	375	65	11



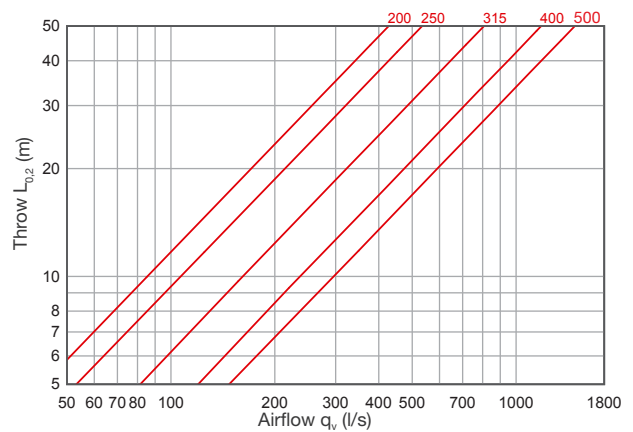
*ØD duct size.

Technical data

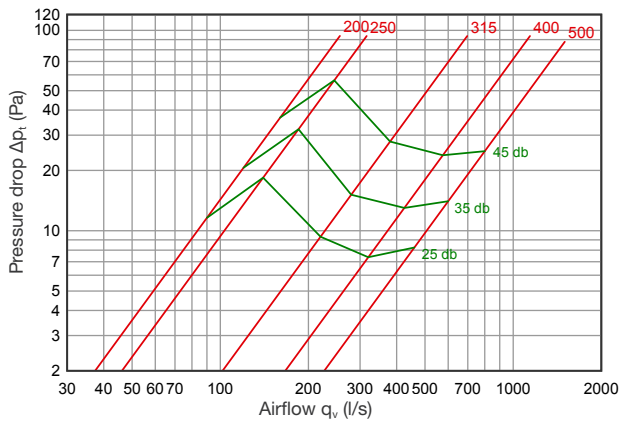
DDR wide air jet dispersal



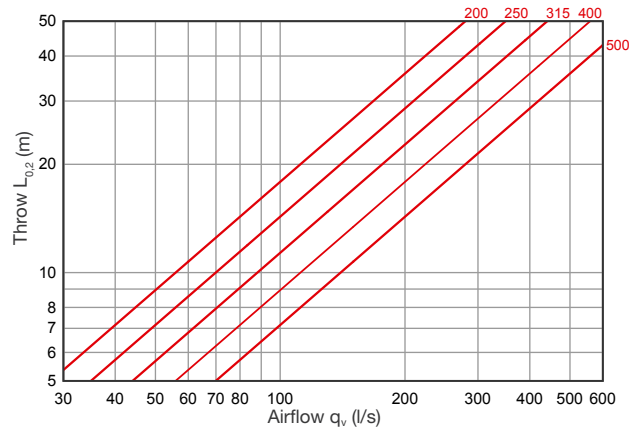
DDR wide air jet dispersal



DDR narrow air jet dispersal



DDR narrow air jet dispersal



Acoustic data

Wide air jet dispersal

L_w (dB)

Product	Sound level correction factor K_{okt} (dB)						
	125	250	500	1k	2k	4k	8k
DDR 200	3	2	-1	0	-3	-12	-29
DDR 250	1	2	-1	1	-4	-11	-27
DDR 315	3	1	-1	2	-5	-16	-28
DDR 400	7	1	1	1	-7	-18	-29
DDR 500	12	2	3	-2	-9	-17	-30

Narrow air jet dispersal

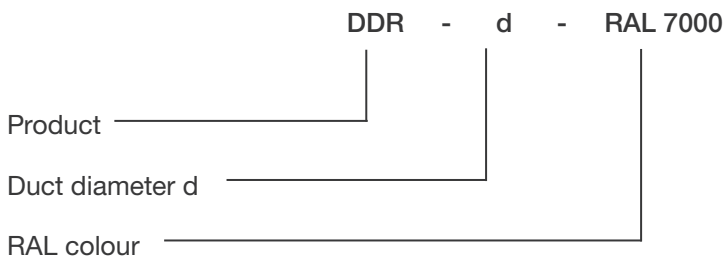
L_w (dB)

Product	Sound level correction factor K_{okt} (dB)						
	125	250	500	1k	2k	4k	8k
DDR 200	2	-1	-2	1	-3	-16	-31
DDR 250	0	-1	-4	2	-5	-18	-31
DDR 315	2	-1	-2	3	-9	-19	-31
DDR 400	4	-1	2	2	-9	-19	-31
DDR 500	7	-1	3	2	-22	-22	-32

ΔL , dB

Product	Sound attenuation (dB)						
	Mean frequency of octave band (Hz)						
	125	250	500	1k	2k	4k	8k
DDR 200	13	7	3	1	-	-	-
DDR 250	11	6	2	-	-	-	-
DDR 315	9	4	2	-	-	-	-
DDR 400	7	4	1	-	-	-	-
DDR 500	5	2	-	-	-	-	-

Product codes

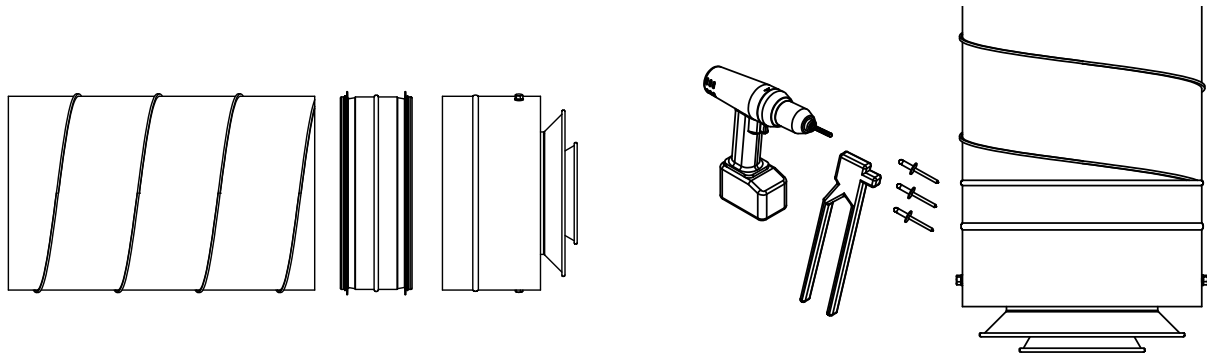


RAL colour: if other than standard colour. Standard colour RAL 9003.

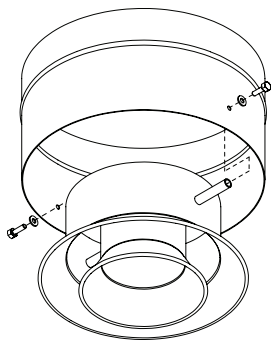
Example: DDR 200

Installation and maintenance

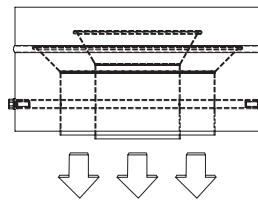
Installation directly to duct or SKDM plenum box using an inner coupling and fixed with rivets.



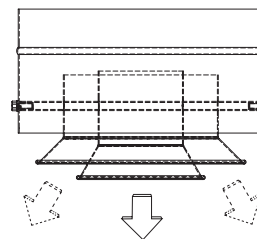
Adjustable diffusion pattern



DDR narrow air jet



DDR wide air jet



Maintenance

Clean visible parts with a damp cloth.