

RSO Transfer Air Grille

Grille for transfer air between rooms. Installed in door or wall.

- Adjustable according to wall or door thickness.
- Very small pressure loss.
- Airflow through the grille is caused by pressure difference between rooms.
- Prevents visual contact between rooms.

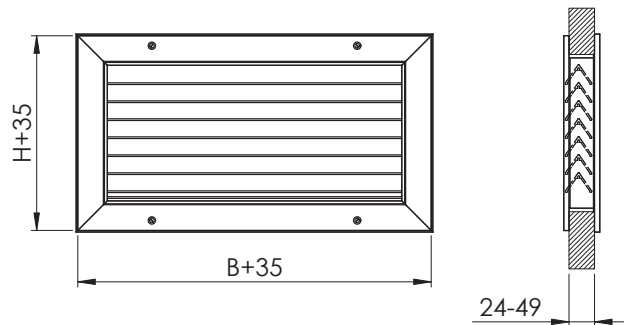


Installation thickness for grille and frame is 25-50 mm. If wall or door thickness exceeds 50 mm, two grilles can be used without mounting frame.

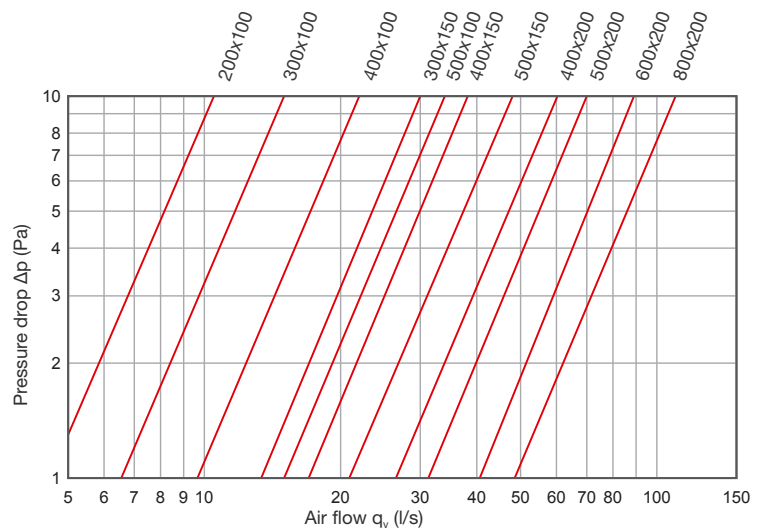
Structure and Dimensions

Manufactured of aluminum profiles. Bars are V-shaped. Nominal size of the grille is the same dimension as the installation dimensions in the wall/door (B×H). Standard colour white (RAL 9003). Other RAL colours available. The minimum size of the RSO grille is 100×100 mm and the maximum 1500×1000 mm.

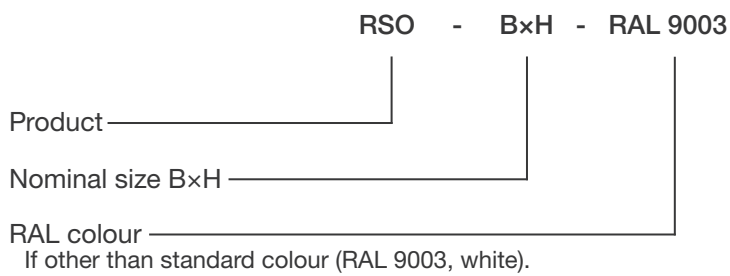
Nominal size B×H
200×100
300×100
400×100
500×100
300×150
400×150
500×150
600×150
400×200
500×200
600×200
800×200



Technical Data



Product Marking



Example: RSO 500x200

Installation and Maintenance

RSO grill is fixed with screws to the wall or door. A grille is installed on one side of the wall/door and on the other half mounting frame.

For structural width exceeding 50 mm, two grilles are used without mounting frame. A rectangular duct can be installed between the two grilles.

Cleaning: Remove grille from frame carefully, with a screwdriver if needed. Clean parts with a damp cloth. Replace grille.