

RPSL/RPVL Floor Grille

RPSL/RPVL are grilles for supply and exhaust air for floor or window-sill.

- Vertical or 15° angled fixed blades.
- Removable grille for easy access for cleaning.
- Module grille option.

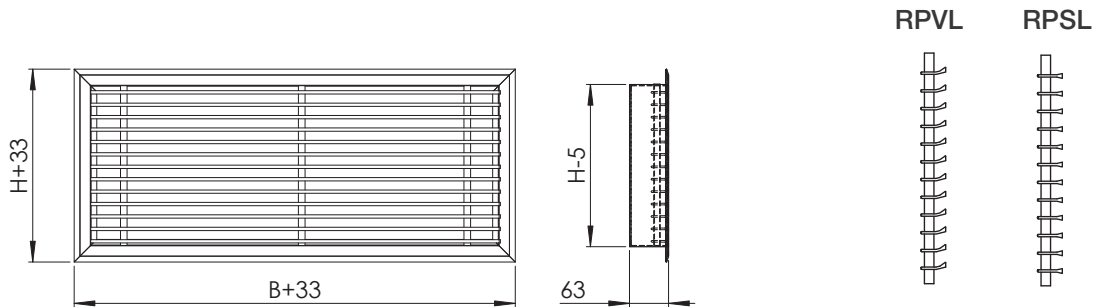


Structure and Dimensions

Manufactured of aluminum profile. Blades are vertical or at 15° angled. Good torsional stiffness because of welded frame and back supports.

Standard colour white (RAL 9003). Other RAL colours available.

The minimum size of the RPSL/RPVL grille is 80×80 mm and the maximum 1500×600 mm. For lengths greater than 1500 mm, grilles are manufactured in modules and installed in string.

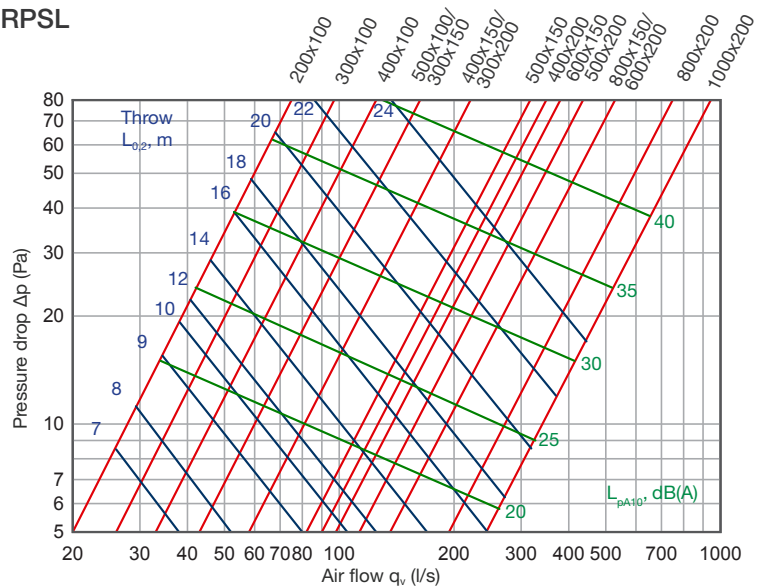


Technical Data

Supply air

Recommended minimum temperature $\Delta t = -5^\circ\text{C}$.

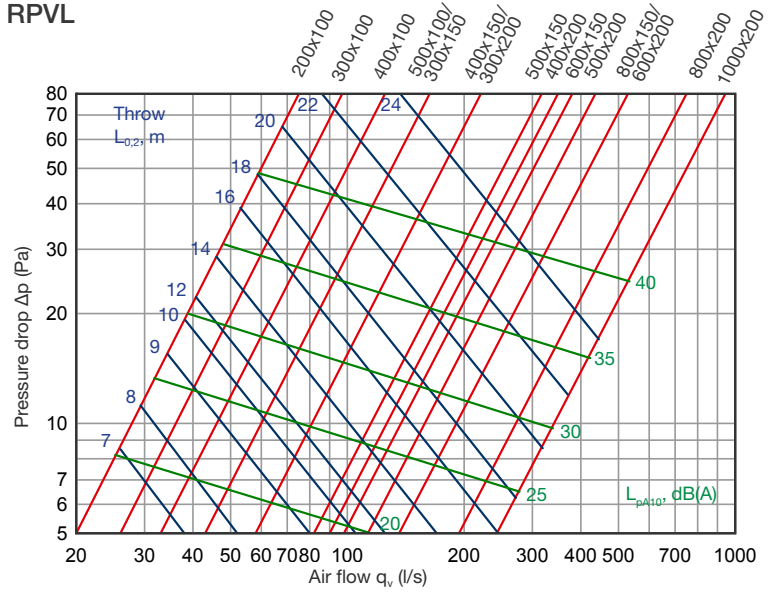
RPSL



Exhaust air

Add: noise level 5 dB(A),
pressure loss 1,2x.

RPVL



Product Marking

RPSL - BxH - RAL 9003

Product _____
 RPSL - grille for supply and exhaust air
 RPVL - floor grille for supply and exhaust air,
 blades at 15° angle

Nominal size BxH _____

RAL colour _____
 If other than standard colour (RAL 9003, white).

Example: RPSL 500x150

Accessories:

SKRM - plenum box

Installation and Maintenance

Installation to floor or window-sill with mounting frame. Remove grille first from frame. Then install the frame into floor with screws, and finally attach the grille to the frame.

Cleaning: Remove grille from frame carefully, with a screwdriver if needed. Clean parts with a damp cloth. Replace grille.

N.B. RPSL and RPVL are not suitable for wall or ceiling installation.

