

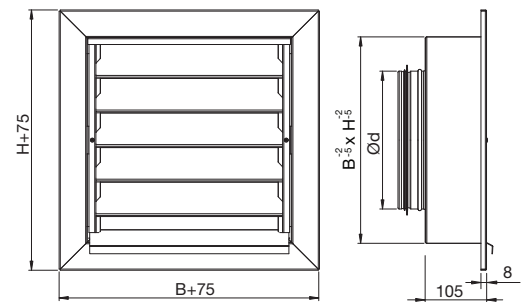
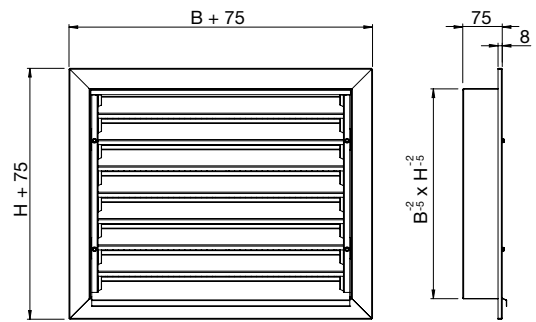
**RV External louvre**

RV is an external louvre designed to protect fresh air and extract air openings of ventilation systems. RV provides effective protection against water penetration with low pressure loss.



**Application**

Suitable for supply and exhaust air.  
 Good resistance to water penetration and low pressure loss make it especially well suited for fresh air openings.  
 The strong galvanized steel profile with weather-resistant powder coating allows the protection of ventilation systems of different sizes and operating in difficult conditions.  
 The louvre is manufactured of galvanized steel and powder coated (RAL 7000).  
 Can also be manufactured of other materials, e.g. aluminium, copper or acid-proof steel.

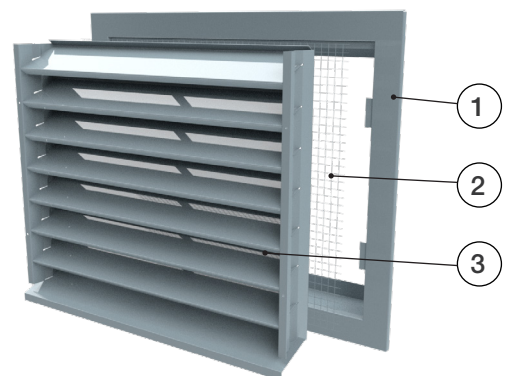


**Structure and dimensions**

The grille consists of three structural parts:

1. mounting frame
2. mesh
3. removable louvre

The louvre's corners are welded waterproof.  
 The protective mesh of the louvre is a welded hot-dip galvanized wire mesh with a opening size of 19x19x1.05 mm. The opening size of the acid-proof mesh is 11.7x11.7x1.0 mm.  
 RV louvres are produced for openings with various sizes. Standard louvres are rectangular. Triangular grilles are available on special order.  
 Standard sizes manufactured every 50 mm for length and width. Minimum size 200x200 mm. Louvres larger than 1200x1500 mm are manufactured in modules.  
 Dimensions B and H are the nominal sizes of the louvre. The tolerances of B and H are +0/-5 mm.



**Technical data**

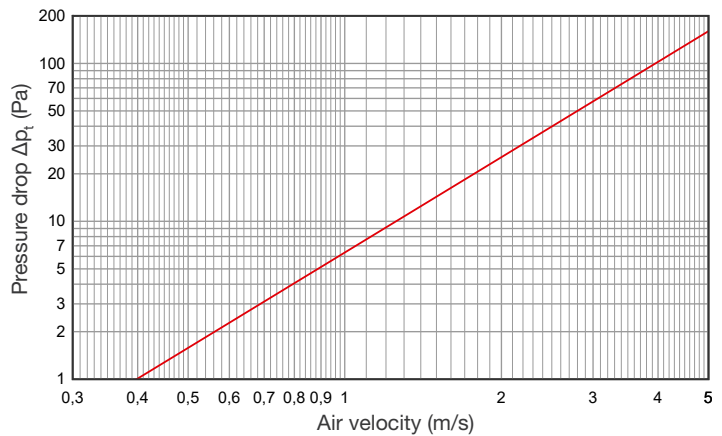
RV external louvre has a good resistance to water penetration and low pressure loss.

The recommended air velocity at the louvre face velocity for air intake should not exceed 2 m/s in our climatic conditions.

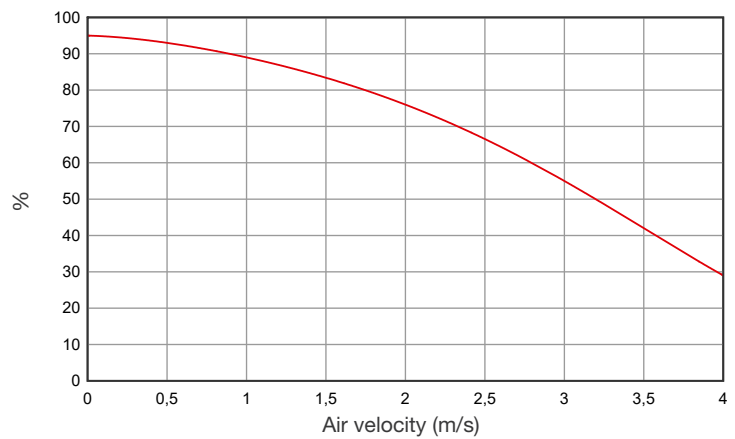
In order to achieve the best result, the designers have considered the upper limit to be 1.5 m/s.

Higher air velocities can cause precipitation to enter the ventilation duct.

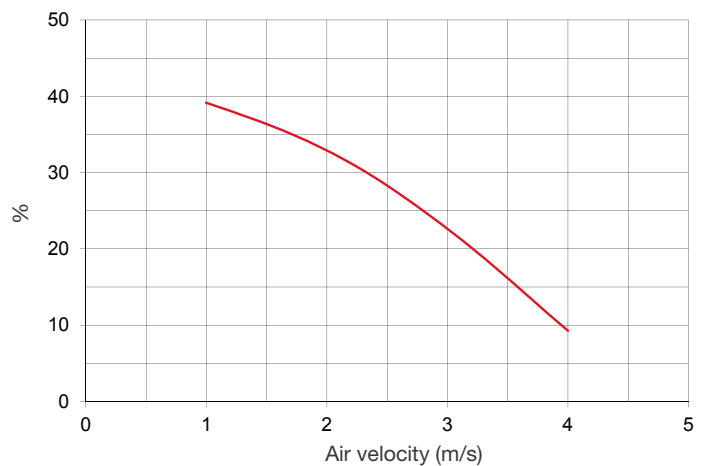
**Intake air pressure loss**



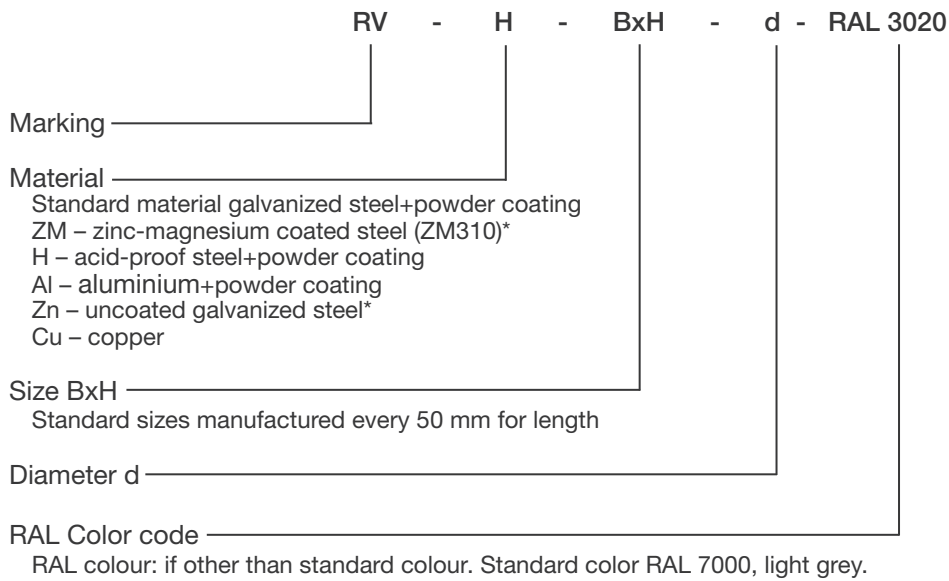
**Resistance to water penetration**



**Resistance to snow penetration**



**Product marking**



\* Rust warranty does not apply.

**Example: RV 1200x1000**

Triangular grilles (dimensions with clarification):

1000 x 600 (triangle) – Equilateral triangle, width 1000 mm and height 600 mm.

**Design and installation instructions**

The following recommendations should be followed when designing and installing external louvres:

1. The supply air louvre should be mounted to the northern side of a building, in order not to subject ventilation systems to excessive heat loading on sunny summer days.
2. The face surface of the outer edge of a supply air louvre should be selected so large that the linear speed would not exceed 2 m/s.
3. The distance between the supply and exhaust air louvres should be sufficient to prevent the exhaust air getting into the supply air section.
4. The louvre should be installed higher than 2 m from the ground.
5. The louvre should locate at least 0.9 m from the roof next to the louvre (if not protected from snow).

Installing the external louvre you have at first fix the frame onto the external wall structure, connect it to the ventilation duct, and then seal with silicone.

Then the protective mesh and louvre must be placed into the frame and secured with screws.

If the air intake is installed in particularly harsh conditions (areas exposed to wind, the sea coast, etc.), it is recommended to install a drain air intake behind the grate to prevent rainwater and light snow from entering the ventilation duct.

**Maintenance**

The grille must be removed to enter the ventilation duct. Clean the outside with a damp cloth.