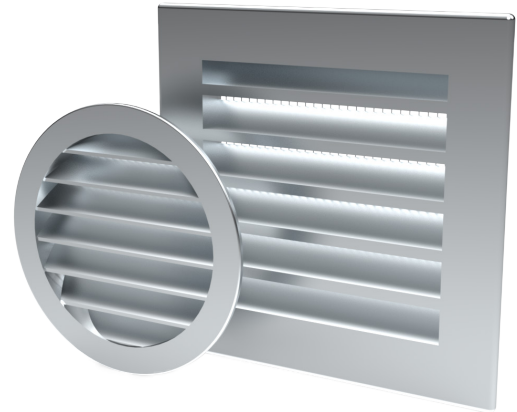


**RVA External louvre**

Louvre for supply and exhaust air. Also suitable for natural ventilation.

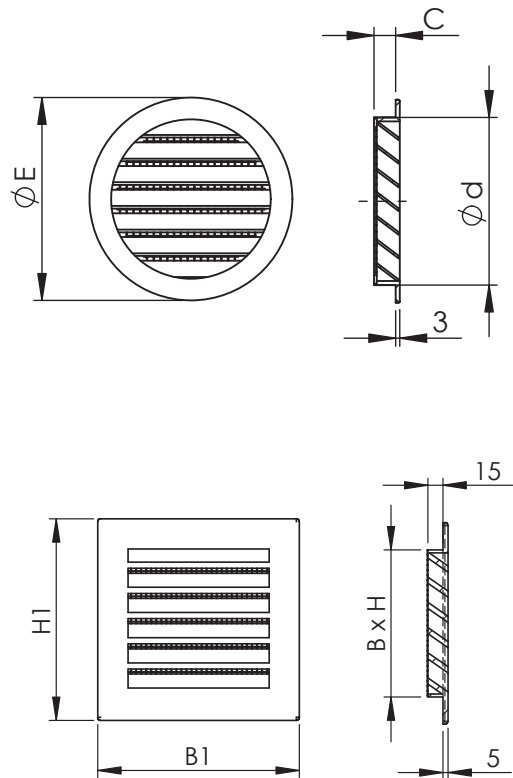


**Structure and dimensions**

RVA louvre is manufactured of cast aluminium and equipped with a mesh. Dimensions Ø 100–315 are painted RAL 9006 color and other louvres uncoated. Other colours available on request.

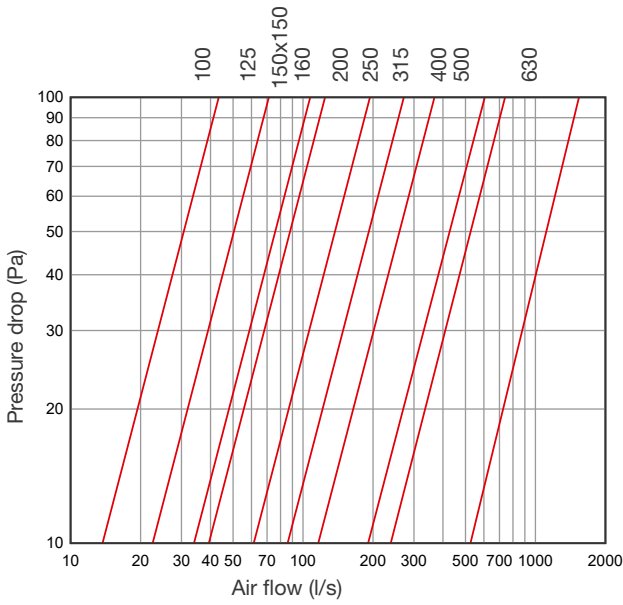
Nominal size Ød	ØE	C	A <sub>f</sub> m <sup>2</sup>	Weight
100	125	16	0,005	0,15
125	150	16	0,008	0,15
160	185	16	0,014	0,25
200	225	16	0,022	0,4
250	275	16	0,034	0,8
315	355	35	0,037	1,8
400	440	35	0,085	3,0
500	540	35	0,103	5,1
630	730	50	0,158	6,0

Nominal size BxH	B1x H1	A <sub>f</sub> m <sup>2</sup>	Weight
150x150	180x180	0,014	0,65
200x200	230x230	0,025	0,7

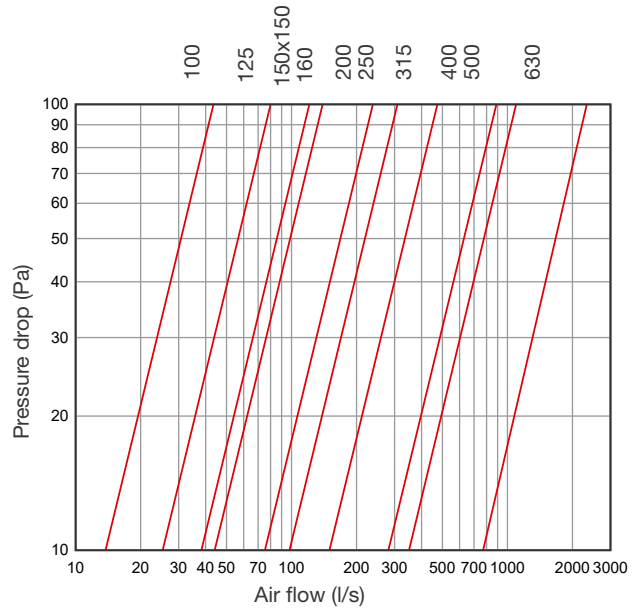


**Technical data**

**Intake air**

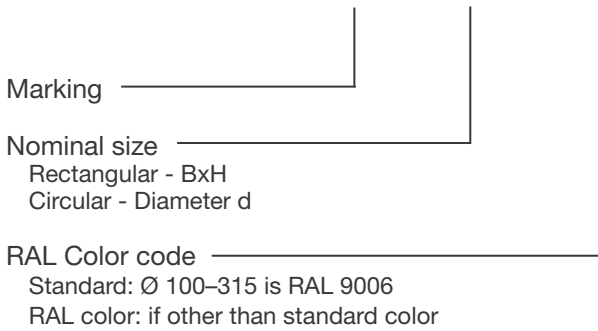


**Exhaust air**



**Product marking**

RVA - BxH - RAL 3020



Example: RVA 150x150

**Maintenance**

The grille must be removed to enter the ventilation duct. Clean the outside with a damp cloth.