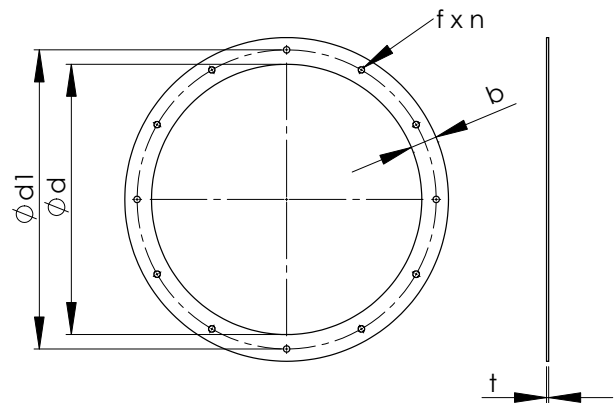
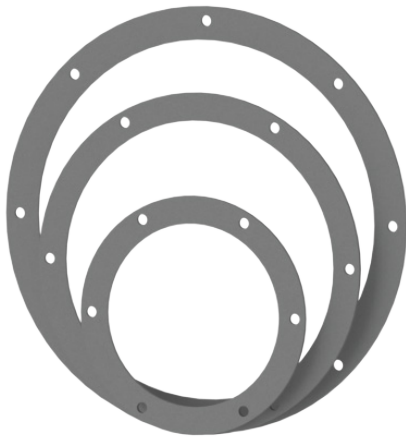


VRL Flange



Round flange manufactured of galvanized flat iron for connecting ducts and parts.  
Manufactured according to Eurovent 1/2 requirements.

Measurements

Nominal size (mm)	Ød (mm)	Ød <sub>1</sub> , ±0,5 (mm)	Hole size f ±0,5 (mm)	Hole quantity n	b x t (mm)	Weight (kg)
400	406	450	12	8	40x4	1,8
500	506	560	12	12	50x4	2,8
630	636	690	12	12	50x4	3,4
800	806	860	12	16	50x4	4,3
1000	1008	1070	15	16	60x4	6,4
1250	1258	1320	15	20	60x4	7,9
1600	1608	1680	19	24	60x4	10

N.B. Other measurements available by special order.

Product Marking



Example: VRL 500