

## ULS Air Intake Device

ULS is an air intake device with snow shield feature to withstand the challenging Nordic weather with its innovative and smooth design.

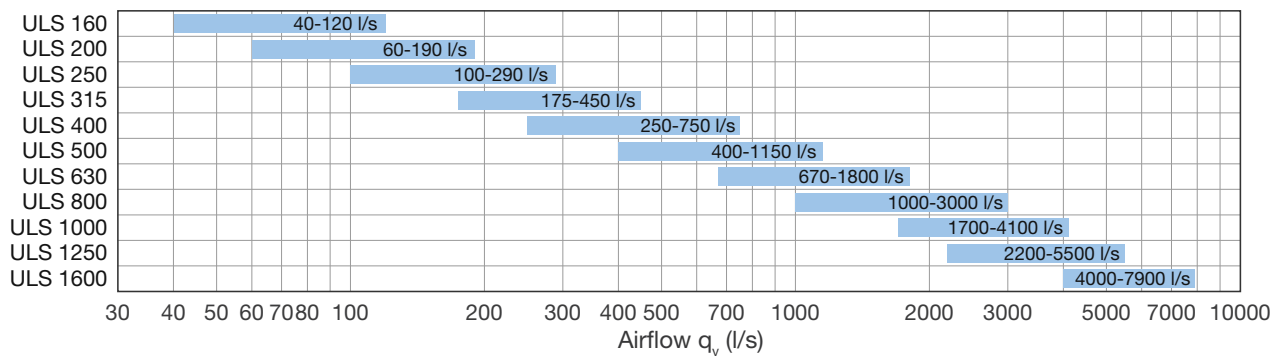


- Low design - low wind resistance
- Excellent water and snow resistance
- Strong structure
- Low pressure drop
- Low noise level
- Magnelis® sheet steel (corrosivity category is C4)

### Application

Designed to operate in stormy weather with wind speeds up to 25 m/s. The labyrinth structure has excellent resistance against rain and snow.

### Quick Selection



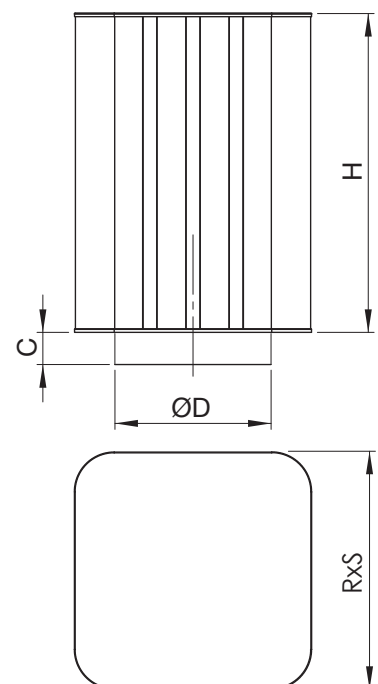
### Material and Dimensions

As standard the devices are manufactured of Magnelis® sheet steel (ZM310). On special order can also be manufactured from acid resistant steel (AISI 316L) or in powder coated finish (RAL colors).

Sizes Ø 160-400 mm are with female connection which fits outside a fitting and sizes Ø 500-1600 mm with VRL flange duct connection (counterflange ordered separately).

Starting from Ø 315 mm, equipped with lifting and anchoring bracket.

Nominal size ØD (mm)	R/S (mm)	H (mm)	C (mm)	Weight (kg)	Free area (m²)	Airflow (l/s)	
						min	max
160	240	200	90	7	0,042	40	120
200	280	380	90	10	0,082	60	190
250	330	520	90	12	0,128	100	290
315	500	520	90	34	0,209	175	450
400	600	812	90	40	0,357	250	750
500	700	1012	90	61	0,563	400	1150
630	830	1220	100	79	0,68	670	1800
800	1000	1220	100	107	1,134	1000	3000
1000	1400	1220	100	183	1,588	1700	4100
1250	1450	1525	100	217	1,991	2200	5500
1600	1800	1800	150	329	3,027	4000	7900



ULS air intake device with rain-plate connection (KL) for installation with MKL roof transition will provide the best possible combination for water resistance.

**ULS air intake device with rain-plate and MKL roof transition with rain-plate collar.**

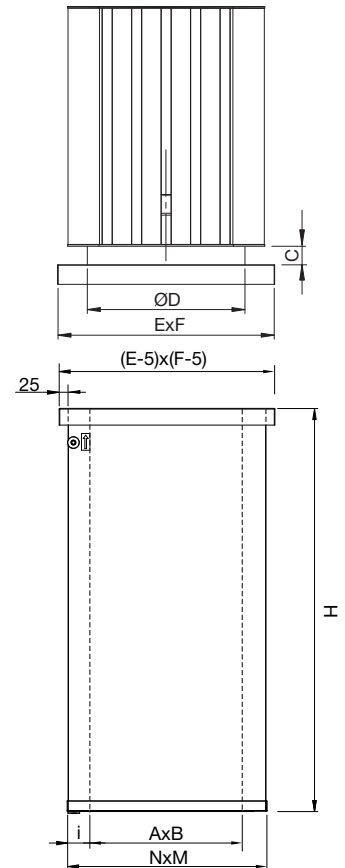
MKL roof transition with 50 mm insulation.

ULS Nominal size ØD	Connection size ExF (mm)	MKL (i=50 mm)		
		MKL+KL Nominal size (N×M KL-ExF)	AxB (mm)	NxM (mm)
ULS 160	350x350	MKL 300x300 KL-350x350	200x200	295x295
ULS 200	350x350	MKL 300x300 KL-350x350	200x200	295x295
ULS 250	450x450	MKL 400x400 KL-450x450	300x300	395x395
ULS 315	450x450	MKL 400x400 KL-450x450	300x300	395x395
ULS 400	550x550	MKL 500x500 KL-550x550	400x400	495x495
ULS 500	650x650	MKL 600x600 KL-650x650	500x500	595x595
ULS 630	750x750	MKL 700x700 KL-750x750	600x600	695x695
ULS 800	950x950	MKL 900x900 KL-950x950	800x800	895x895
ULS 1000	1150x1150	MKL 1100x1100 KL-1150x1150	1000x1000	1095x1095
ULS 1250	1450x1450	MKL 1400x1400 KL-1450x1450	1300x1300	1395x1395
ULS 1600	1750x1750	MKL 1700x1700 KL-1750x1750	1600x1600	1695x1695

Installation opening = (N+20)×(M+20) mm.

MKL roof transition with 100 mm insulation.

ULS Nominal size ØD	Connection size ExF (mm)	MKL (i=100 mm)		
		MKL+KL Nominal size (N×M KL-ExF)	AxB (mm)	NxM (mm)
ULS 160	450x450	MKL 400x400 KL-450x450	200x200	395x395
ULS 200	450x450	MKL 400x400 KL-450x450	200x200	395x395
ULS 250	550x550	MKL 500x500 KL-550x550	300x300	495x495
ULS 315	550x550	MKL 500x500 KL-550x550	300x300	495x495
ULS 400	650x650	MKL 600x600 KL-650x650	400x400	595x595
ULS 500	750x750	MKL 700x700 KL-750x750	500x500	695x695
ULS 630	850x850	MKL 800x800 KL-850x850	600x600	795x795
ULS 800	1050x1050	MKL 1000x1000 KL-1050x1050	800x800	995x995
ULS 1000	1250x1250	MKL 1200x1200 KL-1250x1250	1000x1000	1195x1195
ULS 1250	1550x1550	MKL 1500x1500 KL-1550x1550	1300x1300	1495x1495
ULS 1600	1850x1850	MKL 1800x1800 KL-1850x1850	1600x1600	1795x1795



**ULS air intake device with rain-plate and MKL roof transition.**

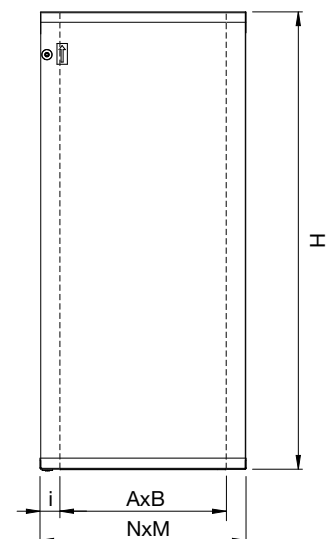
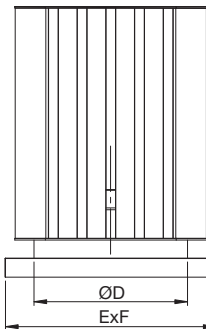
MKL roof transition with 50 mm insulation (H=1200).

ULS Nominal size ØD	Connection size ExF (mm)	MKL (i=50 mm)		
		MKL Nominal size (NxM)	AxB (mm)	NxM (mm)
ULS 160	300x300	MKL 300x300	200x200	295x295
ULS 200	300x300	MKL 300x300	200x200	295x295
ULS 250	400x400	MKL 400x400	300x300	395x395
ULS 315	400x400	MKL 400x400	300x300	395x395
ULS 400	500x500	MKL 500x500	400x400	495x495
ULS 500	600x600	MKL 600x600	500x500	595x595
ULS 630	700x700	MKL 700x700	600x600	695x695
ULS 800	900x900	MKL 900x900	800x800	895x895
ULS 1000	1100x1100	MKL 1100x1100	1000x1000	1095x1095
ULS 1250	1400x1400	MKL 1400x1400	1300x1300	1395x1395
ULS 1600	1700x1700	MKL 1700x1700	1600x1600	1695x1695

MKL roof transition with 100 mm insulation (H=1200).

ULS Nominal size ØD (mm)	Connection size ExF (mm)	MKL (i=100 mm)		
		MKL Nominal size (NxM)	AxB (mm)	NxM (mm)
ULS 160	400x400	MKL 400x400	200x200	395x395
ULS 200	400x400	MKL 400x400	200x200	395x395
ULS 250	500x500	MKL 500x500	300x300	495x495
ULS 315	500x500	MKL 500x500	300x300	495x495
ULS 400	600x600	MKL 600x600	400x400	595x595
ULS 500	700x700	MKL 700x700	500x500	695x695
ULS 630	800x800	MKL 800x800	630x630	795x795
ULS 800	1000x1000	MKL 1000x1000	800x800	995x995
ULS 1000	1200x1200	MKL 1200x1200	1000x1000	1195x1195
ULS 1250	1500x1500	MKL 1500x1500	1300x1300	1495x1495
ULS 1600	1800x1800	MKL 1800x1800	1600x1600	1795x1795

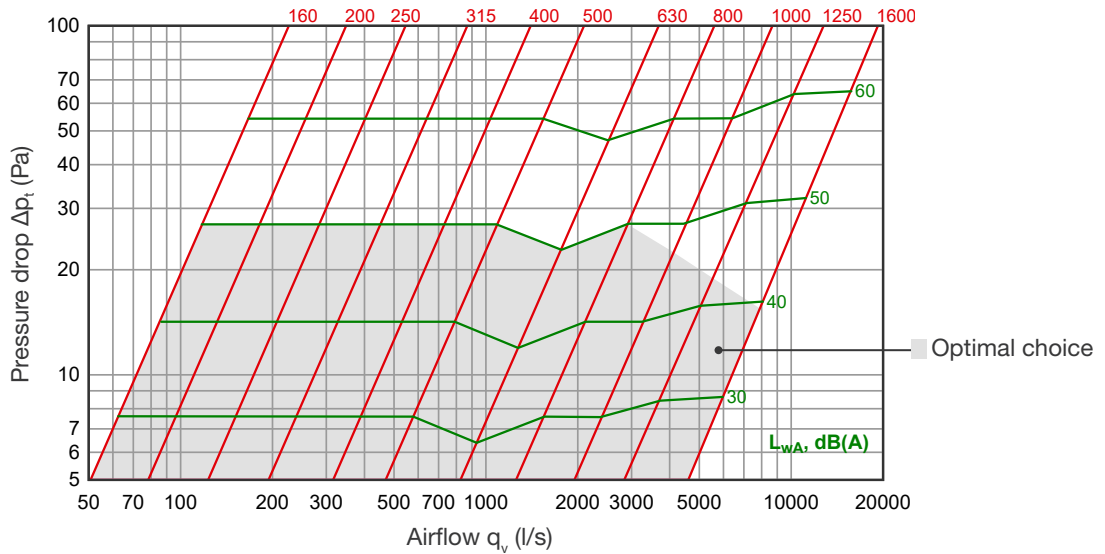
For more information about MKL roof transition and different insulation possibilities please check MKL datasheet.



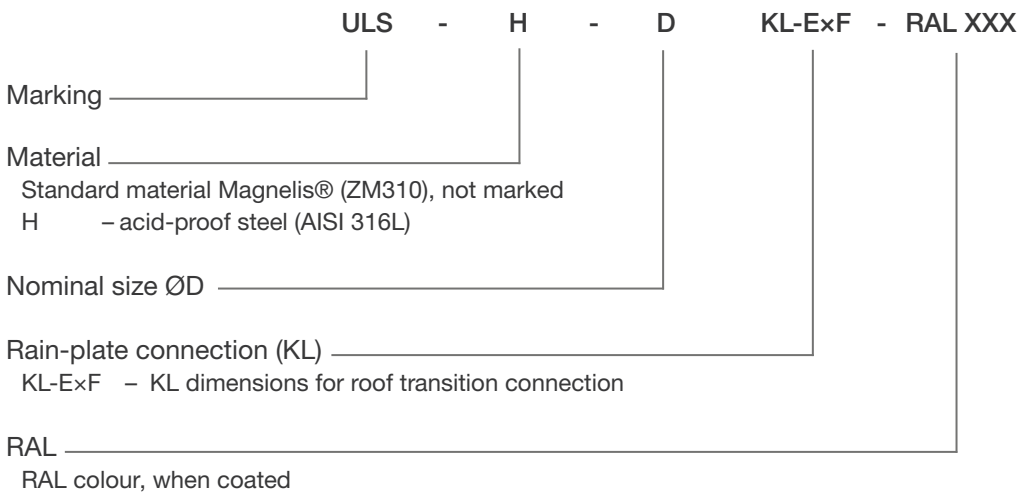
**Technical Data**

**Pressure drop - Airflow**

Recommended maximum pressure drop 30 Pa. For best result, when choosing a roof hood, air velocity over the free area should not exceed 2,6 m/s and velocity in the duct should not exceed 6 m/s.



**Product Marking**



- Example:**
- ULS 315 Air intake device
  - ULS-H 315 Air intake device, acidproof
  - ULS 315-RAL7000 Air intake device (coated)
  - ULS 315 KL-450×450 Air intake device with rain-plate connection for roof transition