

UHCT Roof transition

Roof transition for UHC combi hood.

UHCT is easily adapted for required roof incline by angle brackets.

- Manufactured of Magnelis®, zinc-magnesium coated steel sheet
- Can be ordered made of special materials
- As standard, inner shell made of absorption material Cleantec® mineral wool with washable surface layer
- Standard height 1200 mm

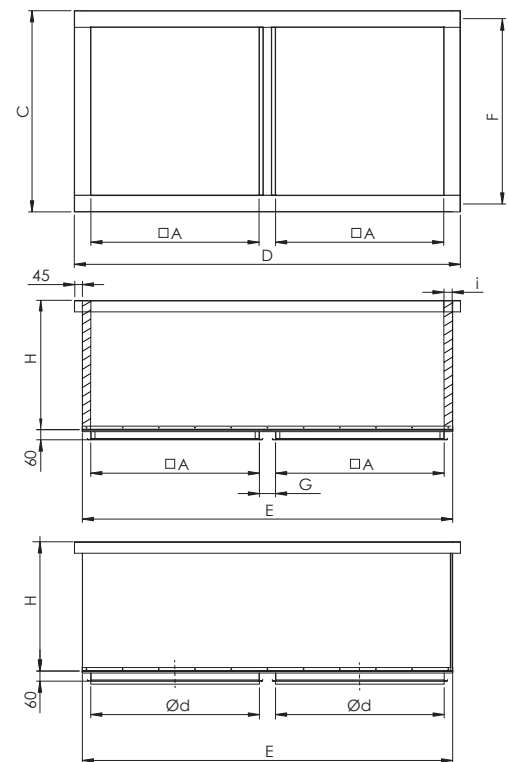


Material and dimensions

As standard manufactured of Magnelis®, zinc-magnesium coated sheet steel (ZM310) and insulated with 50 mm mineral wool with washable surface layer (Cleantec®), without inner shell.

Possible to produce with 100 mm fire insulation mineral wool (compliance to EI60-EI 120 class) and non-perforated sheet steel inner shell. Used fire insulation meets the testing methods requirements according to EN1366-1 and is VTT certified. Fire insulation strengths in accordance with EN-13501-1.

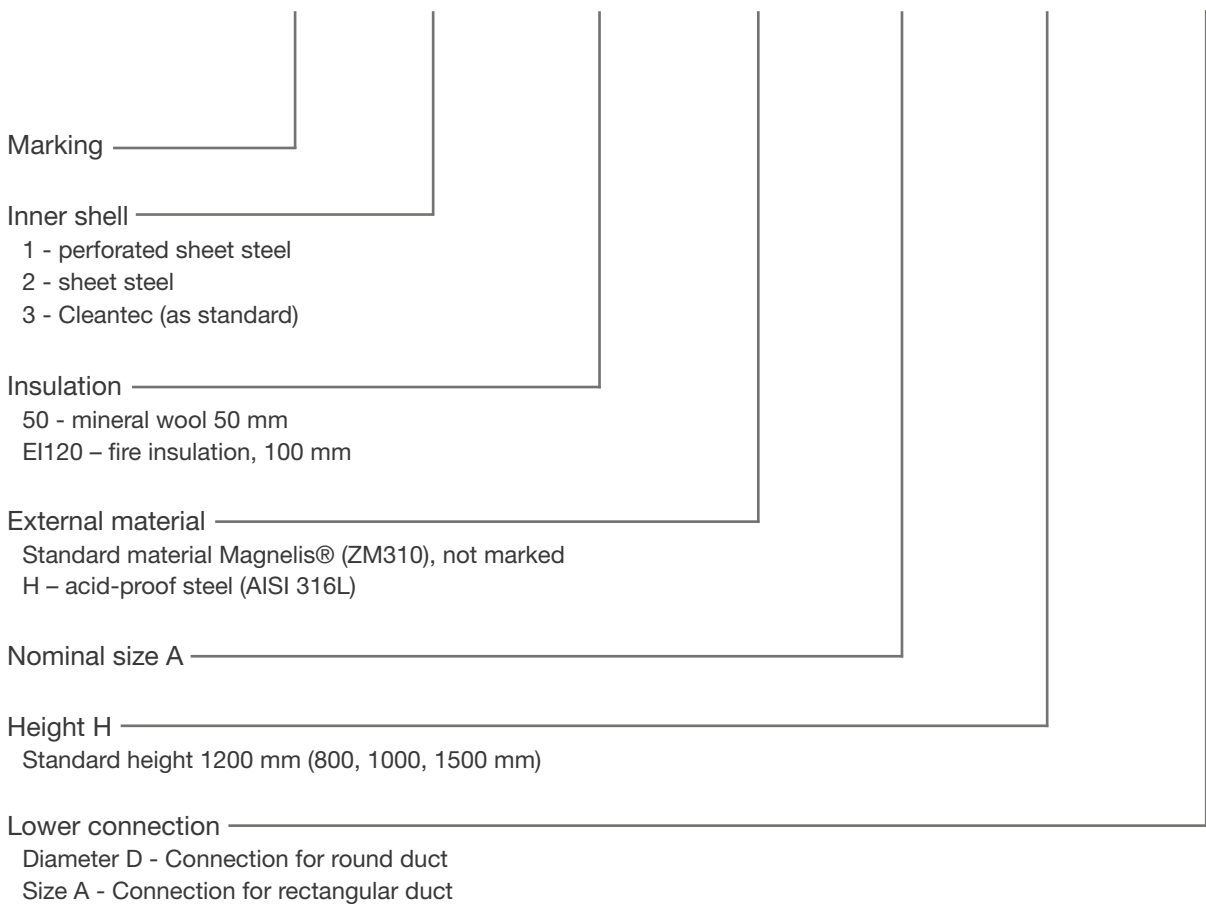
Standard height 1200 mm (also 800, 1000, 1500 mm). For installation through sloping roofs the roof transition comes as standard with two installation brackets (100x100x1,2 L=E+400).



UHCT Nominal size A (mm)	Insulation i=50 mm		Insulation i=100 mm		C (mm)	D (mm)	E (mm)	F (mm)	Weight (i=50 mm) (kg)
	A (mm)	G (mm)	A (mm)	G (mm)					
200	200	95	-	-	390	690	600	300	42
300	300	95	200	195	490	890	800	400	55
400	400	95	300	195	590	1090	1000	500	67
500	500	95	400	195	690	1290	1200	600	79
600	600	95	500	195	790	1490	1400	700	92
700	700	95	600	195	890	1690	1600	800	106
800	800	95	700	195	990	1890	1800	900	117
900	900	95	800	195	1090	2090	2000	1000	129
1000	1000	95	900	195	1190	2290	2200	1100	152
1100	1100	95	1000	195	1290	2490	2400	1200	172

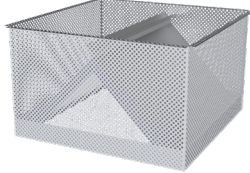
Product marking

UHCT - 1 - 50 - H - A - H - D=X



Example: UHCT-1-50 400-1000
 UHCT-2-100- 600-800

Accessories:

MKLK Non-return damper (top-mounted)	Nominal size AxB (mm)	A/B (mm)	H (mm)	Weight (kg)
	200x200	190	150	1,3
	300x300	290	204	2,5
	400x400	390	255	3,9
	500x500	490	300	5,6
	600x600	590	353	7,5
	700x700	690	404	9,7
	800x800	790	450	12,3
	900x900	890	504	15,2
	1000x1000	990	554	18,4
	1100x1100	1090	604	21,8
	1200x1200	1190	654	25,6
	1300x1300	1290	704	29,7
	1400x1400	1390	754	34,0
	1500x1500	1490	804	38,6
	1600x1600	1590	854	43,6

